

FROZEN FOODS

IGLOO
Compact



IGLOO Compact is
the perfect vending
machine for ice cream
and frozen foods



IGLOO
Compact

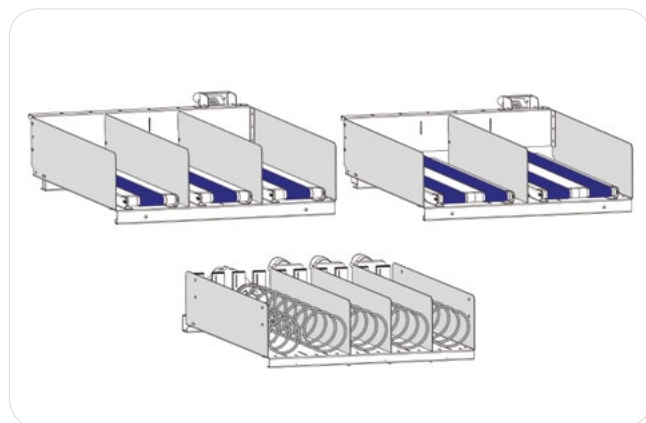
IGLOO Compact

is the perfect vending machine for ice cream and frozen foods



Hybrid configuration with spirals or conveyor belts trays

Spirals, conveyor belts or both? Several dispensing modes allow configuring Igloo by inserting up to a maximum of 35 different products: single, packaged or artisanal ice cream, pizzas, fresh meals, meat, fish, vegetables and prepared food.



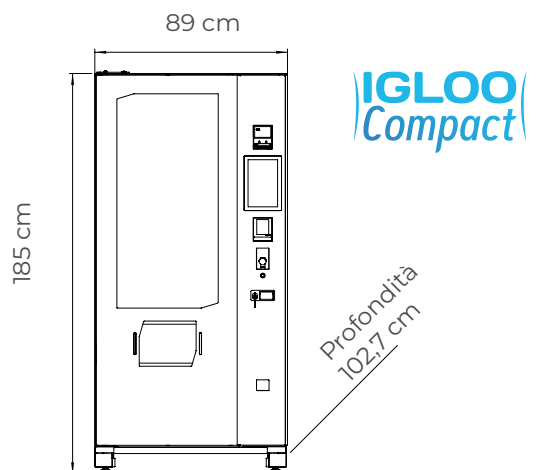
Settable temperature up to a -25°C

The refrigeration system, equipped with multiple sensors, can reach -25 °C to ensure the correct storage of frozen foods until their delivery.

IGLOO Compact, the new Adimac vending machine, can host frozen products thanks to the internal temperature of -25 C.

The combined dispensing system with conveyor belts and spirals offers unprecedented configuration flexibility. Ideal for delivery products and packaging of various shapes and sizes.

- **GASTRONOMY**
- **PASTRY**
- **ICE CREAM**
- **MEAT**
- **FROZEN**



CHARACTERISTICS

Height of delivery area	70 cm
Maximum number of shelves	7
Max tray selections (Spirals)	5
Max tray selections (Belts)	3
Maximum active power	780 W
Power supply	230 V / 50 Hz
Consuming	200 - 800 W
Weight	370 kg



Check in real time and from remote with **AD - Cloud**

Simple and innovative, the AD Cloud system optimizes all control, support and update operations on machines. All networked devices can be monitored from anywhere and from any device.

- Real-time stock control and under-stock management.
- Monitoring of transactions.
- Export of all system data (daily, weekly and monthly reports).
- Configure and customize your dashboard.
- Sharing data with your employees.
- Multi-user management.



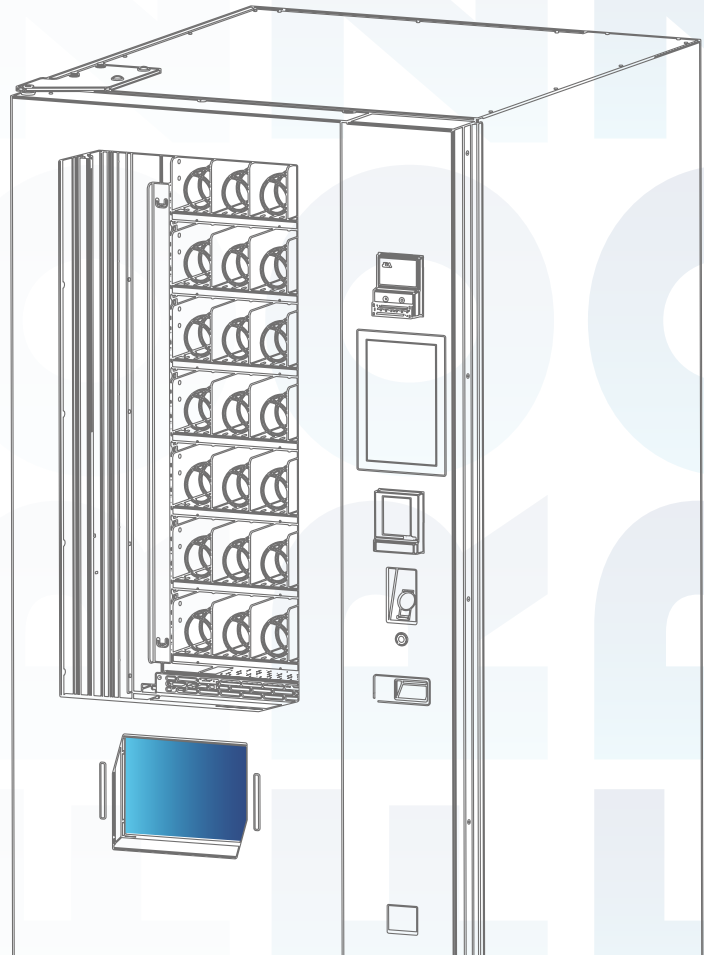
Touch screen with display 10 or 21.5 inches

The touch screen offers more interactivity by user and easy and intuitive product selection.



Automatic door in a raised position and integrated lift

Among ice cream and frozen food vending machines, IGLOO Compact allows products to gently slide onto a latest generation elevator, preventing any impact or damage. The retrieval compartment with an automatic door enables customers to conveniently collect the selected product.





IGLOO Compact
compact in size, big in
performance.



Adimac – Nuova Inox Srl brand
Via dei Pini, 50 - 36016 Thiene (VI) - Italy
T. +39 0445 361034
info@adimac.it
www.adimac.it

