

# BLACK KNIGHT SWORD OF RAGE SERVICE AND OPERATION MANUAL



## WARNING

**IMPORTANT HEALTH WARNING: PHOTOSENSITIVE SEIZURES** - A very small percentage of people may experience a seizure when exposed to certain visual images, including flashing lights or patterns. Even people with no history of seizures of epilepsy may have an undiagnosed condition that can cause "photosensitive epileptic seizures" due to certain visual images, flashing lights or patterns. Symptoms can include lightheadedness, altered vision, eye or face twitching, jerking or shaking of arms or legs, disorientation, confusion, momentary loss of awareness, and loss of consciousness or convulsions that can lead to injury from falling down or striking nearby objects.

IMMEDIATELY STOP PLAYING AND CONSULT A DOCTOR IF YOU EXPERIENCE ANY OF THESE SYMPTOMS.

## ATTENTION! IMPORTANT WARRANTY INFORMATION

The electronics system, node network architecture, mechanical devices and associated software control systems in this pinball machine are designed to work with genuine Stern Pinball accessories and devices.

Installation of non-authorized accessories, lamps, LED's, motors or other devices or modification of electro-mechanical devices may damage the system and will void your warranty.

Stern Pinball machines are assembled in Elk Grove Village, Illinois, USA. Stern Pinball has inspected each game element to ensure it meets our quality standards.

Each pinball machine has unique characteristics that make it a one-of-a-kind American made product. Each will have variations in appearance resulting from differences in the machine's particular wood parts, individual printed art and mechanical assemblies. No playfield is perfectly flat and varies depending on the season. Game play will result in playfield dimpling as the harder steel ball contacts the wood and coating; over time multiple dimples will blend to make them less noticeable. Normal plastic insert crazing (tiny stress cracks) and ghosting (small cloudy areas around insert edges) are often seen in pinball machines, due to a combination of plastic mold stress, pushing of inserts into purposely undersized holes, and heating and breaking of inserts' plastic "skin" when the playfield is sanded.

Created and distributed under license from Williams Electronics Games, Inc. Black Knight™, Black Knight 2000™ and Sword of Rage™ are trademarks of Williams Electronics Games, Inc. © 1980, 1989, 2019 Williams Electronics Games, Inc. All rights reserved.

Games configured for North America operate on 60 cycle electricity only. These games will not operate in countries with 50 cycle electricity (Europe, UK, Australia).



MANUAL #780-50N2-00  
BLACK KNIGHT LE #500-55N2-01  
BLACK KNIGHT PREMIUM #500-55N3-01

1-800-KICKERS - parts.service@sternpinball.com  
www.sternpinball.com - facebook.com/sternpinball

# TABLE OF CONTENTS

<b>1. Setup and Moving .....</b>	<b>3</b>	5.5 Backbox Parts.....	39
1.1 First-Time Setup Instructions.....	3	5.6 Speaker Panel Parts .....	39
1.2 Adjustments Menu .....	6	5.7 Cabinet Parts .....	40
1.3 Transporting the Game .....	7	5.8 Ball Shooter Assembly.....	41
1.4 Maintenance .....	8	5.9 Auto Launch Assembly .....	41
1.5 Maintenance Kits .....	8	5.10 Ball Trough Assembly.....	42
1.6 Common Parts.....	8	5.11 Slingshot Assembly.....	42
<b>2. SPIKE System and Node Guide .....</b>	<b>9</b>	5.12 Flipper Assembly, Left.....	43
2.1 SPIKE System Overview .....	9	5.13 Flipper Assembly, Right .....	43
2.2 Node Bus Cabling.....	9	5.14 Pop Bumper Assembly .....	44
2.3 System Power.....	9	5.15 Front Molding Assembly .....	45
2.4 SPIKE Node Addresses .....	9	5.16 Shooter Ramp Assembly .....	45
2.5 SPIKE Node Programming.....	10	5.17 VUK Assembly .....	45
2.6 SPIKE System Terminology .....	10	5.18 Twin Flail Tower Assembly .....	46
2.7 Common SPIKE Node Boards.....	10	5.19 Twin Flail Assembly.....	47
<b>3. Light, Switch, and Driver Reference... 11</b>		5.20 Flail Ramp Assembly.....	47
3.1 SPIKE Node Boards.....	11	5.21 1-Bank Drop Target Assembly .....	47
3.2 Driver Reference .....	12	5.22 3-Bank Drop Target Assembly .....	48
3.3 Switch Reference.....	14	5.23 One Way Gate Assembly, Upper VUK .....	49
3.4 Light Reference.....	18	5.24 One Way Gate Assembly, Shield .....	49
3.5 Motor Reference .....	23	5.25 Electric Gate Assembly, Left.....	49
<b>4. Electronic Pinouts and Schematics.... 24</b>		5.26 Electric Gate Assembly, Right.....	49
4.1 SPIKE-2 CPU Node 0 .....	24	5.27 Flame Board Assembly .....	50
4.2 Cabinet Node 1 .....	28	5.28 Black Knight Assembly .....	50
4.3 Lower Playfield 48V Driver Pinout Node 8 .....	29	5.29 Shield Bracket Assembly .....	50
4.4 Mid Upper Playfield 48V Driver Pinout Node 9 .....	30	5.30 Shield Assembly.....	50
4.5 Trough Serial Opto Receiver Extension 8a .....	31	5.31 Shield Downpost Assembly .....	51
4.6 Trough Serial Opto Transmitter .....	31	5.32 Ball Guide #6 Assembly .....	51
4.7 Lower Mid LED Board 8b.....	31	5.33 Ball Guide #7 Assembly.....	51
4.8 Upper Mid LED Board 9a.....	32	5.34 Ball Guide #9 Assembly.....	52
4.9 Dual Motor Driver.....	33	5.35 Upper Flipper Bat Configuration.....	52
4.10 Flail Flash LED Board.....	33	5.36 Ball Lock Assembly, Mini Playfield.....	52
4.11 Opto Slot Twin.....	33	5.37 Back Panel Assembly .....	53
4.12 Upper Left LED Board.....	33	5.38 Mini Playfield.....	54
4.13 Opto 3-Ball Lock Receiver .....	34	<b>6. Specifications .....</b>	<b>56</b>
4.14 Opto 3-Ball Lock Emitter .....	34	6.1 Game Dimensions.....	56
4.15 Knight Helmet LED Board.....	34	6.2 Warranty.....	57
4.16 Main Power Supply.....	34	6.3 Warnings, Compliance, and Legal Notices.....	57
4.17 Power Distribution Board.....	35		
4.18 Power Plug Wiring.....	35		
<b>5. Parts Reference.....</b>	<b>36</b>		
5.1 Playfield Rubber Parts .....	36		
5.2 Rubber Size Chart.....	36		
5.3 Playfield Assemblies, Top .....	37		
5.4 Playfield Assemblies, Bottom .....	38		



# 1. SETUP AND MOVING

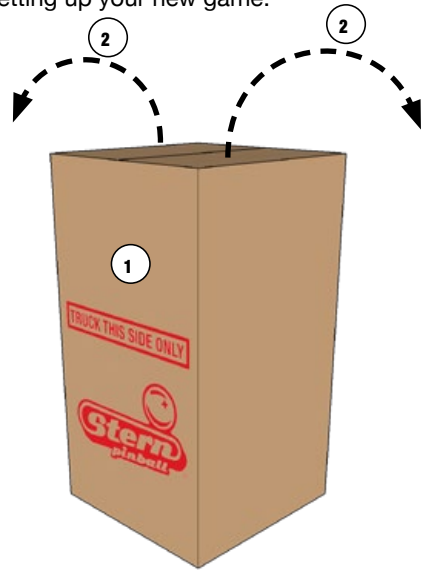
## 1.1 FIRST-TIME SETUP INSTRUCTIONS

Your brand new Stern Pinball Machine is carefully packed for safety and security. For your safety, exercise caution and use the correct tools and sufficient help when setting up your new game.

**TOOLS REQUIRED** ⓘ

- 5/8" Socket Wrench
- Utility Knife
- Snips
- An Assistant

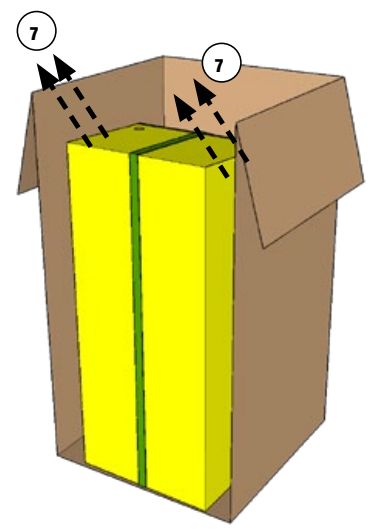
**CAUTION: AT LEAST TWO (2) PEOPLE ARE REQUIRED TO MOVE AND MANEUVER THE GAME. USE PROPER MOVING EQUIPMENT AND EXTREME CARE WHILE HANDLING. STERN PINBALL MACHINES WEIGH OVER 250LBS BOXED.**



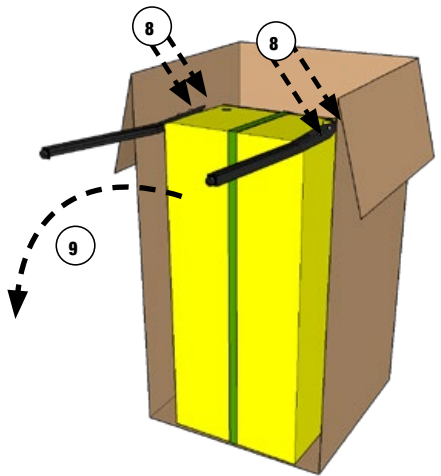
1. Locate the side labeled "TRUCK THIS SIDE ONLY". The bottom of the game faces this side.
2. Open the top box flaps by pulling hard in an upward motion on each flap. If the flaps are taped, cut the tape first, taking care to avoid the box staples.



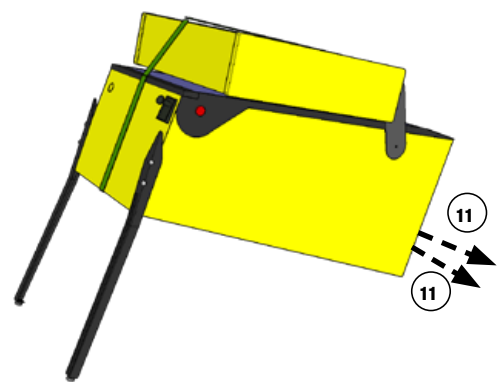
3. Remove the four (4) foam pieces and two (2) narrow box tubes which contain the four (4) identical legs with levelers.
4. DO NOT CUT STRAPPING YET. Keep backbox secured in the down position.
5. With the utility knife, carefully cut down the left and right corners of the box.



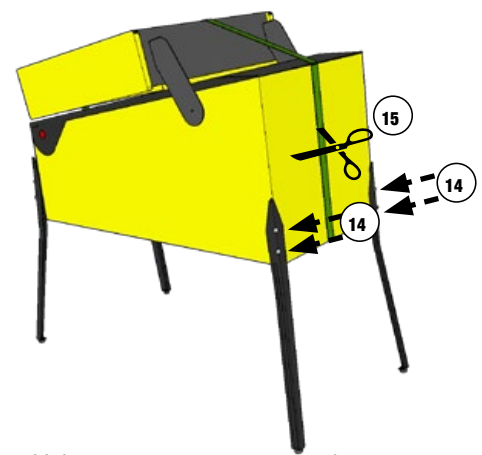
6. Let the face fall forward and remove the entire side by carefully cutting the bottom.
7. With the game still in its folded position, use a 5/8" wrench to loosen and remove the 2 leg bolts on each side of the front cabinet. Ensure the leg levelers are screwed all the way into the legs.



8. Install front legs using the bolts removed from the cabinet. Secure tightly.
9. Have someone help you carefully set the game down on the front legs.

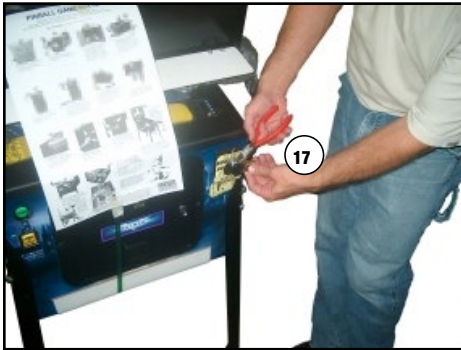


10. Set aside the open box.
11. With a 5/8" socket wrench, loosen and remove the 2 leg bolts on each side of the rear cabinet, 4 total.

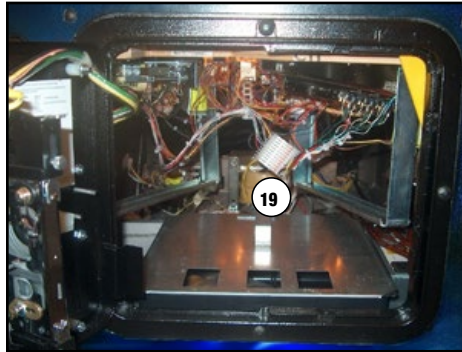


12. Using supports or two people, prop the rear of the cabinet up.
13. Ensure the rear leg levelers are screwed all the way into the legs.
14. Install rear legs using the 4 bolts removed from step 11.

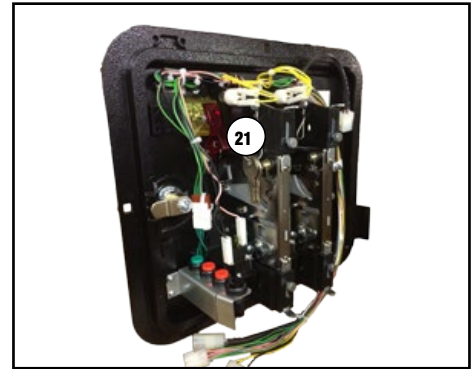
# FIRST-TIME SETUP CONTINUED



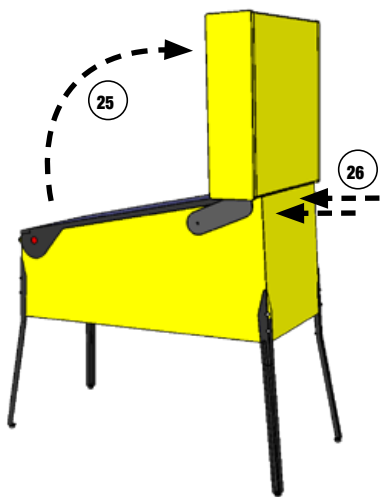
15. Cut nylon strapping and remove protective strap corner guards.
16. Locate the factory keys, either on the shooter rod or taped to the playfield glass.
17. Using snips, cut the tie-wrap securing the keys if required. One set of keys is for the front coin door, the other set of keys is for accessing components in the backbox.



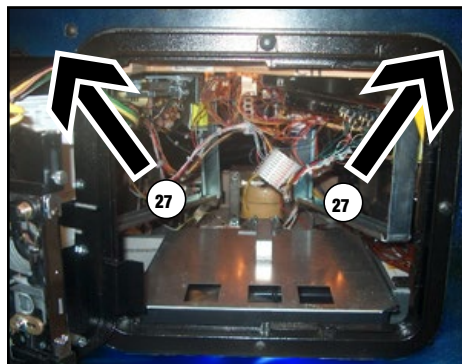
18. Open the front coin door.
19. Reach into the game and remove the retaining clip at the rear of the cash box.
20. Remove the cash box lid by sliding it toward you.



21. Store the backbox keys, if desired, on the metal hook located in the coin door.
22. Locate and remove the pinballs, plumb bob, and backbox bolts from the cash box.
23. Replace the cash box lid and retaining clip for future use.



24. Locate the two (2) backbox bolts in the cash box.
25. Carefully raise backbox to upright position while ensuring that cables are not pinched.
26. Use the  $\frac{5}{8}$ " wrench to install the two (2) backbox bolts to secure the backbox as indicated on the back of the cabinet.



27. Reach inside the cabinet and lift the two latches located on either side of the coin door.
28. Remove the front top molding.



29. Remove the playfield glass by sliding it toward you and carefully place it in a safe location. Remove all playfield shipping tie downs, shipping blocks, and packing foam, and follow any game-specific unpacking instructions included in the playfield, if present.

**CAUTION: PLAYFIELD GLASS IS MADE FROM HIGH-STRENGTH TEMPERED GLASS. TEMPERED GLASS IS SENSITIVE TO EXTREME TEMPERATURE SHIFTS AND CORNER NICKS, WHICH CAN CAUSE THE GLASS TO FAIL CATASTROPHICALLY. TAKE CARE TO STORE THE GLASS ON A SOFT, ROOM-TEMPERATURE SURFACE AND PREVENT THE CORNERS FROM BEING DAMAGED.**

## FIRST-TIME SETUP CONTINUED

30. If pinballs were already installed into the lower ball trough, remove them before lifting the playfield.
31. Grasp the lower arch between the flippers, and firmly but gently pull directly up to raise the playfield 8 to 12 inches.
32. While holding the playfield up, pull the playfield toward you until the two playfield supports are over the front edge of the cabinet.
33. Rest the playfield on the front edge of the cabinet.
34. Raise the playfield and rest it against the backbox.
35. Visually inspect all cabinet cables and connector terminations; ensure no wires or cables are pinched and that cable harnesses are not pulled tight.
36. Locate the plumb bob in the parts bag in the cash box.
37. Slide plumb bob onto the hanger wire. Note: the vertical position of the plumb bob affects tilt sensitivity - higher makes the game more sensitive to tilting.
38. Tighten the thumb screw finger-tight.
39. Install the correct number of pinballs. Refer to the decal on the lock down assembly for the correct number of pinballs.

## LOCATING, LEVELING, AND FINAL SETUP

1. Select a location that is indoors, out of direct sunlight, and climate controlled. Excessive moisture/humidity can cause long-term damage to your game.
2. Adjust the front or rear levelers as necessary to position the playfield level bubble, located on the front right of the playfield next to the shooter lane, to float between the two (2) black lines. This will place the playfield at the recommended 6.5° pitch. Playfield angles greater than 6.5° can be achieved by turning out the rear leg leveler(s) for increased difficulty and faster gameplay.
3. Use a pinball to roll down the center of the playfield for side-to-side leveling, or use an external bubble level, digital level, or smartphone level app.
4. Plug into a grounded outlet and check for proper operation through DIAGNOSTICS.
5. Check the coin door: With the door closed, insert coins to verify proper operation.
6. Play game: Check for satisfactory operation and adjust game volume (push the Red Buttons inside the Coin Door).
7. If desired, perform any game diagnostics, game adjustments, and pricing settings at this time.



## SPIKE PINBALL SOFTWARE UPDATE INSTRUCTIONS

1. Obtain game software update file (filename ends in “.spk”) from [www.sternpinball.com](http://www.sternpinball.com) or from authorized Stern distributor.
2. Place game software update file (“.spk”) in root directory of a blank FAT32-formatted USB flash drive
3. Use backbox power switch to turn off game
4. Plug in USB flash drive to CPU board USB connector (CN20 or CN21). Refer to [www.sternpinball.com](http://www.sternpinball.com)
5. Turn on game
6. The game will automatically begin software update
7. Select the correct .spk update file from list.
8. Press Enter on the service switches to start update
9. When the display indicates “Update Complete”, turn off game
10. Remove USB flash drive from CPU board
11. Turn game on to complete the update and play pinball!
12. Detailed instructions and troubleshooting tips are available in the game manual, [www.sternpinball.com](http://www.sternpinball.com) and authorized Stern distributors.



## 1.2 ADJUSTMENTS MENU

### STANDARD ADJUSTMENTS

Perform the below steps to review the adjustments.

Enter the Service Menu, then enter the Standard Adjustments Menu.

Press SELECT. Press BACK to exit or escape at any time.

Press [>]. Go to the ADJ icon. Press SELECT.

Go to the S.P.I. icon. Press SELECT.

ID	Adjustment Name	Default Setting
1	REPLAY TYPE	AUTO
2	REPLAY PERCENTAGE	10%
3	REPLAY AWARD	CREDIT
4	REPLAY LEVELS	1
5	AUTO REPLAY START	20,000,000
6	DYNAMIC REPLAY START	60,000,000
7	REPLAY LEVEL #1	15,000,000
8	REPLAY LEVEL #2	30,000,000
9	REPLAY LEVEL #3	45,000,000
10	REPLAY LEVEL #4	60,000,000
11	REPLAY BOOST	YES
12	SPECIAL LIMIT	1
13	SPECIAL PERCENTAGE	10%
14	SPECIAL AWARD	CREDIT
15	FREE GAME LIMIT	5
16	EXTRA BALL LIMIT	5
17	EXTRA BALL PERCENTAGE	25%
18	GAME PRICING	USA 11
19	MATCH PERCENTAGE	9%
20	MATCH AWARD	CREDIT
21	BALLS PER GAME	3
22	TILT WARNINGS	2
23	TILT DEBOUNCE	1000
24	CREDIT LIMIT	30
25	ALLOW HIGH SCORES	YES
26	HIGH SCORE AWARD	CREDIT
27	GRAND CHAMPION AWARDS	1
28	HIGH SCORE #1 AWARDS	1
29	HIGH SCORE #2 AWARDS	0
30	HIGH SCORE #3 AWARDS	0
31	HIGH SCORE #4 AWARDS	0
32	GRAND CHAMPION SCORE	75,000,000
33	HIGH SCORE #1	55,000,000
34	HIGH SCORE #2	40,000,000
35	HIGH SCORE #3	30,000,000
36	HIGH SCORE #4	25,000,000
37	HSTD INITIALS	3 INITIALS

### FEATURE ADJUSTMENTS

Each table has feature adjustments specific to the characteristics of that game. To access feature adjustments enter the Service Menu and then enter the Adjustments Menu.

Press SELECT to access the Service Menu. Press BACK to exit or escape at any time.

Press [>]. Go to the ADJ icon. Press SELECT.

STANDARD ADJUSTMENT #1 appears with the adjustment name flashing. While the adjustment name is flashing press [<] [>] to move between adjustments.

To change the adjustment setting press SELECT. While the adjustment setting is flashing, press [<] [>] repeatedly until the desired setting appears. Press the SELECT button to “install” the change. The adjustment comment (bottom line) will indicate if the factory default setting is selected or will display INSTALLED if the change is not a factory default setting.

ID	Adjustment Name	Default Setting
38	HSTD RESET COUNT	2000
39	FREE PLAY	NO
40	LANGUAGE	ENGLISH
41	PLAYER LANGUAGE SELECT	YES
42	CUSTOM MESSAGE	ON
43	KNOCKER VOLUME	NORMAL
44	GAME START	NO
45	GAME RESTART	YES
46	BALL SAVE TIME	0:05
47	TIMED PLUNGER	OFF
48	FLIPPER BALL LAUNCH	OFF
49	COINDOOR BALL SAVER	OFF
50	COMPETITION MODE	NO
51	FAST BOOT	YES
52	Q24 OPTION	COIN METER
53	TICKET DISPENSER	NO
54	PLAYER COMPETITION MODE	YES
55	LOCATION ID	0
56	GAME ID	0
57	TIME FORMAT	12-HOUR
58	COIN INPUT DELAY	30
59	LOST BALL RECOVERY	YES
60	COINDOOR DISABLE TILT	NO
61	COINDOOR OPEN NODE BUS POWER	NO
62	PLAY ATTRACT TUTORIAL VIDEOS	YES
63	EXTERNAL VOLUME KNOB FUNCTION	HEADPHONE VOLUME ONLY
64	MUTE CABINET WHEN HEADPHONES DETECTED	YES
65	GI LED BRIGHTNESS	100%
66	GI LED MAX BRIGHTNESS	255
67	INSERT LED BRIGHTNESS	100% %
68	INSTER LED MAX BRIGHTNESS	255%
69	FLASHER LED BRIGHTNESS	100%
70	FLASHER LED MAX BRIGHTNESS	255
71	ATTRACT MODE BACKBOX BRIGHTNESS	100%
72	GAMEPLAY BACKBOX BRIGHTNESS	100%
73	COINDOOR OPEN BACKBOX BRIGHTNESS	2%

Go to the game icon. Press SELECT.

FEATURE ADJUSTMENT #1 appears with the adjustment name flashing. With the adjustment name flashing press [<] [>] to move between adjustments. Feature adjustments are changed similarly to standard adjustments using the SELECT button to choose options and the [<] [>] buttons to cycle through available settings.

# 1.3 TRANSPORTING THE GAME

When transporting the game, such as in the back of a truck or with a hand truck, the game's backbox must be secured to prevent damage to the side rails.

## 1. SECURE THE BACKBOX

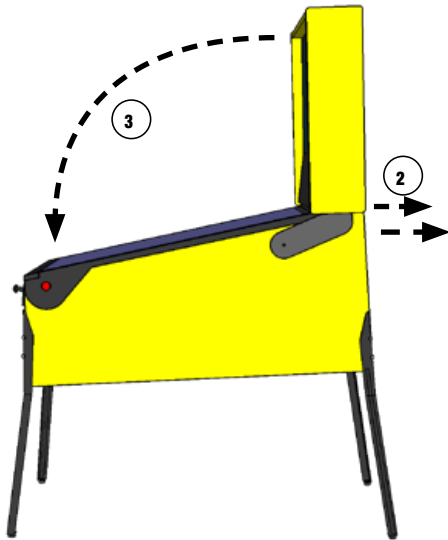
1. Ensure that the pinballs are removed from the playfield, and secure any free-moving mechanisms that may get damaged in transport

**TOOLS REQUIRED** ⓘ

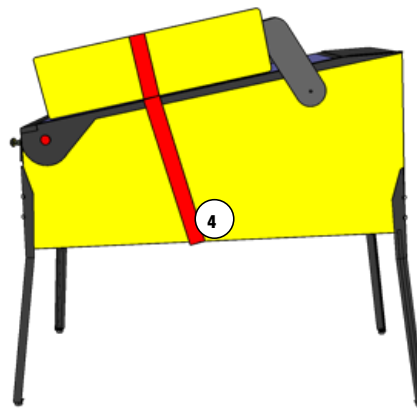
- STRAP (500LB OR GREATER)
- AN ASSISTANT
- HAND TRUCK

**CAUTION** ⚠

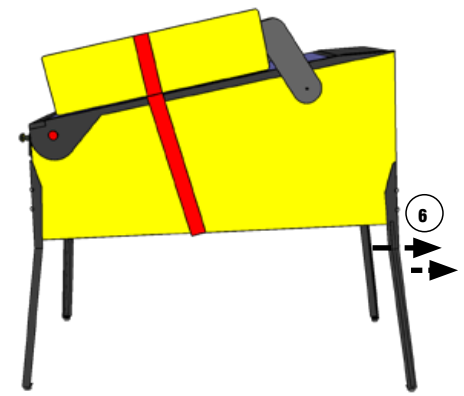
**NEVER TRANSPORT THE GAME IN A MOVING VEHICLE WITH THE BACKBOX RAISED! TWO PEOPLE ARE REQUIRED TO REMOVE THE LEGS!**



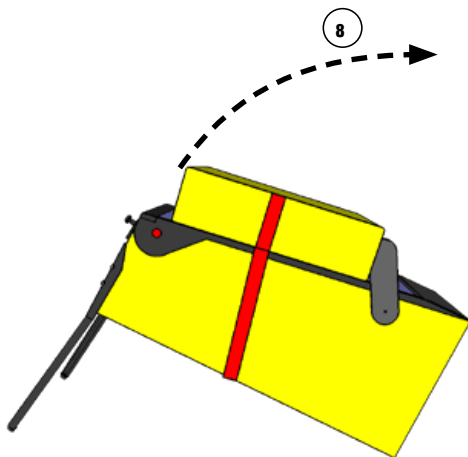
2. Remove the backbox securing bolts
3. Carefully lower the backbox onto the side rails. Use a piece of cardboard or suitable padding between the backbox and the game.



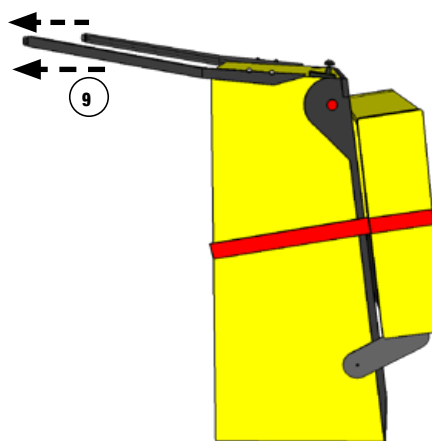
4. Securely strap the back box to the game
5. The game may be transported with the legs on. If the legs must be removed, follow the remaining steps.



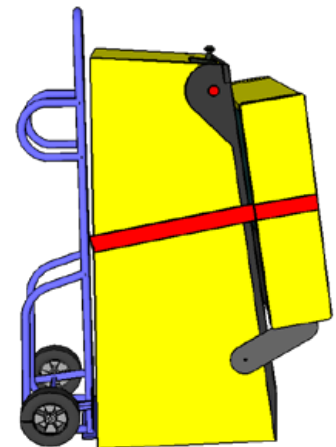
6. Remove the legs, rear legs first. Use a stool or a friend to support the rear of the game.
7. Rest the rear of the game on the ground.



8. Stand the game up on its back.



9. Remove the front two legs.



10. Secure all loose parts and transport with a hand truck in the upright position.



## 1.4 MAINTENANCE

### REGULAR MAINTENANCE - (MONTHLY/500 GAMES)

- Remove the playfield glass
- Enter the software diagnostics menu, start lamp test, then clean and wax the playfield.
- While cleaning the playfield, identify and repair malfunctioning lights, loose parts, cracked plastics and worn rubber parts.
- While in diagnostics, enter the switch test (Select the "SW" icon, then "TEST" icon).
- Use a pinball to actuate all switches and verify the correct switch registers with the switch test.
- The game will play a sound to confirm the switch.
- Lift the playfield and inspect all assemblies for loose parts, broken wires or excessive wear. Look at the bottom of the cabinet for any parts that may have worked loose, then find the source.
- Check all coin door mechanisms and bill acceptor (if installed) for proper operation
- Play the game to ensure all coils and features are working
- Check the playfield to ensure it is level and set to the proper pitch using the bubble level on the right side wood rail.
- Check game audits: Replay % and Ball Time and note abnormal values which can indicate problems.
- Ensure game volume is set appropriately for the location.
- Clean both sides of the playfield glass and reinstall.
- Check and clean pinballs and replace if excessively worn or scuffed. Dirty pinballs accelerate game wear.

### OVERHAUL MAINTENANCE - (5000 GAMES)

- Verify latest game software is installed
- Check flippers for excessive wear. Excessive flipper sloppiness (vertical or horizontal) or weakness indicates a flipper rebuild is required.
- Clean machine inside and out and check leg levelers for free operation.
- Visual check for loose or broken playfield and cabinet parts and repair as necessary.
- Electrical check: Plug into grounded outlet and check for proper operation through DIAGNOSTICS.
- Replace worn or dirty rubbers.
- Replace pinballs.
- Check all playfield switches with a pinball.
- Check all settings (refer to manual for factory settings).
- Check coin door: With door closed, insert coins to verify proper operation.
- Check for proper adjustment of the plumb bob tilt.
- Play game: Check for satisfactory operation.

### COMMON PINBALL TOOLS

- Common nut drivers (1/4", 5/16", 11/32", 3/8")
- Phillips screwdriver
- Standard Allen wrench/Hex key set
- 3/8" Socket with ratchet
- Adjustable wrench (5/8" & 9/16")
- 6" Torpedo Level (or use a pinball)
- Flashlight or headlamp
- Soldering Iron (60w with flat tip), lead-free solder
- Wire cutter
- Wire stripper
- Long nose ("needle nose") pliers

## 1.5 MAINTENANCE KITS

Description	Part Number
The Munsters LE/Premium Maintenance Kit	502-6002-L2
8 oz pinball playfield wax (Novus # 2) (675-0003-01)	502-6002-L3
Standard Pinball (260-5000-00)	
Cleaning Cloth	
All Playfield Rubber Rings	
Spare Fuses	
The Munsters LE/Premium Deluxe Maintenance Kit	502-6003-L2
All standard kit items, plus:	502-6003-L3
Flipper rebuild kits, Left and Right (500-6307-10,-00)	
The Munsters LE Playfield Plastics Kit	803-5000-L2
The Munsters Premium Playfield Plastics Kit	803-5000-L3
The Munsters LE Playfield Decals Kit	802-5000-L2
The Munsters Premium Playfield Decals Kit	802-5000-L3
The Munsters LE Backbox Decal Left	820-76L2-01
The Munsters Premium Backbox Decal Left	820-76L3-01
The Munsters LE Backbox Decal Right	820-76L2-02
The Munsters Premium Backbox Decal Right	820-76L3-02
The Munsters LE Cabinet Decal Left	820-76L2-13
The Munsters Premium Cabinet Decal Left	820-76L3-13
The Munsters LE Cabinet Decal Right	820-76L2-14
The Munsters Premium Cabinet Decal Right	820-76L3-14
The Munsters LE Cabinet Decal Front	820-76L2-05
The Munsters Premium Cabinet Decal Front	820-76L3-05
The Munsters LE Playfield, Bare	830-5000-L2
The Munsters Premium Playfield, Bare	830-5000-L3
The Munsters LE Mirror Backglass	830-8426-L2
The Munsters Premium Translite Backglass	830-8427-L3

## 1.6 COMMON PARTS

Description	Part Number
8 oz Pinball Playfield wax (Novus # 2)	675-0003-01
Standard Pinball, 1-1/16 in	260-5000-00
Flipper Rebuild Kit Left (Standard)	500-6307-10
Flipper Base Plate Kit Left	515-6617-01
Flipper Rebuild Kit Right	500-6307-00
Flipper Base Plate Kit Right	515-6617-00



## 2. SPIKE SYSTEM AND NODE GUIDE

### 2.1 SPIKE SYSTEM OVERVIEW

The SPIKE Pinball system is a rugged, distributed, and embedded platform custom-designed for the rigors of the pinball machine environment. SPIKE takes advantage of modern technologies to deliver an immersive pinball experience that supports modern features, reduces cabling, and increases serviceability and reliability.

A Stern Pinball machine based on the SPIKE system will have at least two nodes networked together with the SPIKE node bus, a custom industrial pinball control bus that is designed around industry standards and optimized for the pinball environment. The primary CPU node is networked to one or more input/output nodes over standard Category 5 UTP (unshielded twisted pair) ethernet cabling.

There are five primary types of nodes that are found in the game.

- CPU node (Node 0) - The primary node that controls other nodes in the system. Contains the primary game software for the system and provides SPIKE node bus power for other nodes.
- Cabinet 48V node (Node 1) - Specialized node with specific inputs and outputs for coin doors, tilt mechanisms, and other bottom-cabinet devices.
- 48V playfield node - Controls high power devices such as coils and flashers, and also supports a few switch and low-power outputs. Powered by the system 48V power supply.
- Light and switch node - High-density switch and low-power LED outputs, bus-powered from the node bus. These boards contain as many 32 switch inputs and light outputs.
- Node extensions - These sub-nodes add additional low-power input and outputs to a specific Power or I/O node and are connected with simple serial bus.

### 2.2 NODE BUS CABLING

The SPIKE node bus utilizes standard Ethernet-style RJ45 8-pin modular jacks, and off-the-shelf Category 5e or better ethernet cabling. The node bus is electrically different from Ethernet and does not utilize Ethernet or TCP/IP protocols or signaling standards. SPIKE nodes are not compatible with standard computer networking equipment.

**CAUTION:** Plugging a SPIKE Node or CPU board into a standard Ethernet port may damage one or both devices and void your warranty.

### 2.3 SYSTEM POWER

The SPIKE System is powered from an 48V DC power supply bus. Each SPIKE node converts this voltage to lower voltages required by the node and its specific components. A SPIKE 48V node typically controls high-power outputs such as game coil mechanisms and high-brightness LEDs. These powered nodes are supplied directly with 48V system power. SPIKE standard I/O nodes are low-power nodes that read switch inputs and output to standard-brightness LEDs. Standard I/O nodes use the node bus power, which is supplied by the main CPU node over the node bus modular jack connectors.

### 2.4 SPIKE NODE ADDRESSES

Each SPIKE node has a unique address ranging from 0 to 15. Not all addresses are used in all games. Nodes can be of the same part number, so the address is specified on the DIP switches on each node. When replacing a node, be certain that the correct address is set. Nodes can have 3-position and 4-position DIP switches. Refer to the appropriate table to set the address for each type of Node. The correct address for a node can be found in the SPIKE node reference section of the manual or in the game diagnostic software. Address 0 is reserved for the backbox CPU node, where the game software resides. Address 1 is reserved for the cabinet node, located inside the coin door. These two nodes do not have DIP switches as their address is not configurable.

Address	1	2	3
8	OFF	OFF	OFF
9	OFF	OFF	ON
10	OFF	ON	OFF
11	OFF	ON	ON
12	ON	OFF	OFF
13	ON	OFF	ON
14	ON	ON	OFF
15	ON	ON	ON

SPIKE node addresses for nodes with 3-position DIP switches. Addresses 0-7 are not used by SPIKE nodes with 3-position DIP switches.

Address	1	2	3	4
8	OFF	OFF	OFF	OFF
9	OFF	OFF	ON	OFF
10	OFF	ON	OFF	OFF
11	OFF	ON	ON	OFF
12	ON	OFF	OFF	OFF
13	ON	OFF	ON	OFF
14	ON	ON	OFF	OFF
15	ON	ON	ON	OFF

SPIKE node addresses for nodes with 4-position DIP switches. Addresses 0-7 are reserved for fixed-function nodes and do not require configuration.



## **SPIKE SYSTEM AND NODE GUIDE CONTINUED**

### **2.5 SPIKE NODE PROGRAMMING**

The SPIKE nodes are smart nodes that have on-board processors and run embedded code. The nodes are programmed automatically by the CPU node whenever software updates are installed to the CPU. When replacing a node, the CPU node will detect and update the node to the latest software with no user intervention. Always replace nodes with the power to the game turned OFF.

### **2.6 SPIKE SYSTEM TERMINOLOGY**

#### **MULTI GENERAL ILLUMINATION LIGHTING**

General Illumination Lighting is two or more lights powered by one control source. These are often a number of LEDs connected in parallel and the system controls these as one large LED. A missing LED will not affect these circuits, however a shorted LED can cause the entire string of LEDs to turn off.

#### **SINGLE LIGHTS**

Single lights and LEDs are direct-controlled from SPIKE node boards. A common power source is grounded by individual transistors to turn individual LEDs on and off. Groups of LEDs, usually by node connector, share a common power source, so if a group of LEDs is out, check the wiring for the power source.

#### **FLASHERS**

SPIKE games treat flashers the same as single LEDs that draw more power. Flashers are controlled from the same circuits that power regular lights.

#### **DRIVERS**

A driver is a circuit that controls a high power-device such as a coil, magnet, or motor. Each device has a common 48V power source that is then connected to ground by a dedicated control transistor. Each driver is protected against shorting, static electricity, and over-current conditions. Take caution as 48V is always present on a device even when it is not energized.

#### **OPTOS**

Certain types of optical switches (“optos”) require external signal conditioning. For these optos, they will interface to a SPIKE node via an opto signal conditioning board. Other optical switches connect directly to the Spike node board.

#### **System Protections**

**CAUTION:** Unless explicitly directed by an Authorized Stern Repair technician, perform ALL work on your pinball machine with the power disabled!

### **INPUT/OUTPUT PROTECTIONS**

SPIKE features built-in short-circuit, static electricity, and other protections to maximize reliability. If an LED, coil or other device shorts, it will be disabled but will not shut down the entire system in most circumstances. Groups of LEDs, coils, and switches often share common power supplies or other circuits, so it is possible that a bad device will affect the group of related devices and require removal or repair to fix the group. The system diagnostics will inform the technician of shorted or otherwise malfunctioning devices whenever possible. While the system is protected against permanent damage, it is strongly recommended to repair or replace these bad components as soon as possible to minimize downtime and maximize game earnings.

### **2.7 COMMON SPIKE NODE BOARDS**

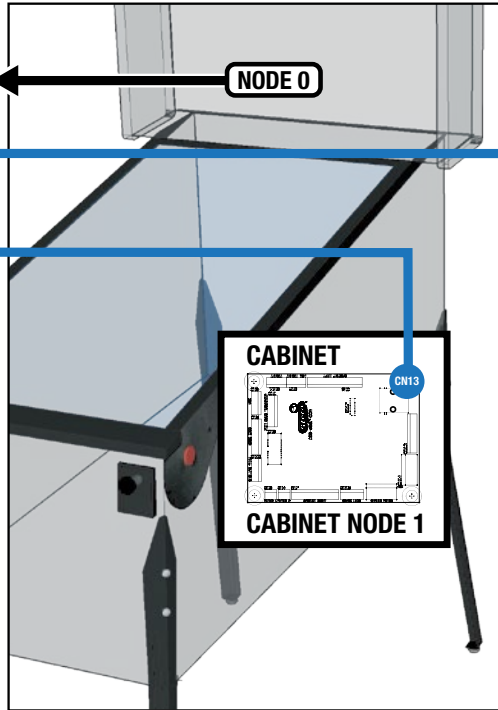
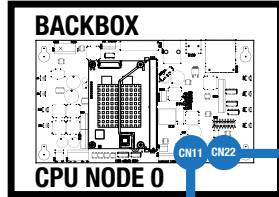
<b>Description</b>	<b>Type</b>	<b>Part Number</b>
SPIKE CPU Node	Node	509-1003-01
Cabinet Node	Node	520-6967-72
Playfield 48V Core-Driver Node	Node	520-7017-72
Trough Serial Opto Receiver Extension	Extension	520-7001-00



# 3. LIGHT, SWITCH, AND DRIVER REFERENCE



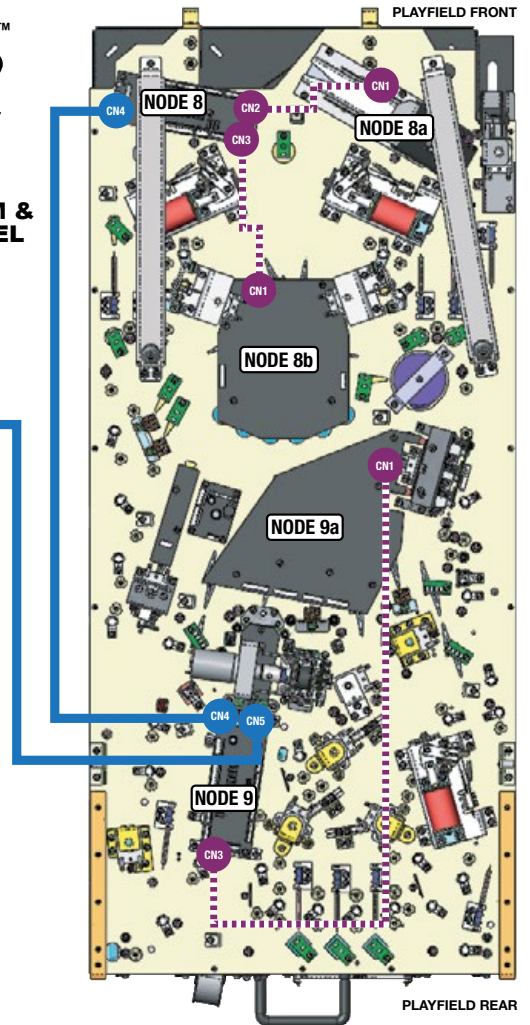
SWORD OF RAGE™ PREMIUM & LE MODEL



● Node Bus Cable (RJ45)  
604-5004-08-XX

● Serial Data Cable  
036-8054-XX

When replacing node boards, ensure DIP address switches are set correctly!



## 3.1 SPIKE NODE BOARDS

ID	DIP Address	Description	Location	Part Number
Node 0	n/a	SPIKE CPU Node	Backbox	509-1003-01
Node 1	n/a	Cabinet Node	Cabinet	520-6967-72
Node 8	OFF-OFF-OFF-OFF	Playfield 48V Core-Driver Node	Lower Playfield	520-7017-72
8a	n/a	Trough Serial Opto Receiver Extension	Playfield	520-7001-00
8b	n/a	LED Board Lower Center	Playfield	520-8083-00
Node 9	OFF-OFF-ON-OFF	Playfield 48V Core-Driver Node	Playfield	520-7017-72
9a	n/a	LED Board Upper Center	Playfield	520-8084-00



## 3.2 DRIVER REFERENCE

ID	Name	Node	Connector	Ret. Pin	Ret. Wire	Voltage	V+ Pin	V+ Color	Location	Type	Address	Part Number
1	Trough	8	CN8	7	ORG GRY	48V	1-4	GRY ORG	Playfield	Coil - 27-1500	8-DR-1	090-5004-ND
2	Auto Plunger	8	CN8	9	ORG WHT	48V	1-4	GRY ORG	Playfield	Coil - 23-800	8-DR-4	090-5001-ND
3	Left Flipper	8	CN8	6	ORG YEL	48V	1-4	GRY ORG	Playfield	Coil - 22-900	8-DR-5	090-5020-20-ND
4	Right Flipper	8	CN8	5	ORG GRN	48V	1-4	GRY ORG	Playfield	Coil - 22-1080	8-DR-0	090-5032-ND
5	Left Slingshot	8	CN8	11	ORG BLU	48V	1-4	GRY ORG	Playfield	Coil - 26-1200	8-DR-3	090-5044-ND
6	Right Slingshot	8	CN8	10	ORG VIO	48V	1-4	GRY ORG	Playfield	Coil - 26-1200	8-DR-2	090-5044-ND
7	Shaker Motor	1	CN2	1	BLU	48V	5	RED	Cabinet	Motor	1-DR-0	041-5029-04
8												
9	U/P Right Flipper	8	CN7	4	YEL BRN	48V	1	GRY ORG	Playfield	Coil - 23-1100	8-DR-7	090-5030-ND
10	Shield VUK	8	CN7	2	YEL RED	48V	1	GRY ORG	Playfield	Coil - 24-940	8-DR-8	090-5036-ND
11												
12	Left Pop Bumper	9	CN8	10	ORG BLK	48V	1-4	GRY BRN	Playfield	Coil - 26-1200	9-DR-2	090-5044-ND
13	Right Pop Bumper	9	CN8	11	ORG BRN	48V	1-4	GRY BRN	Playfield	Coil - 26-1200	9-DR-3	090-5044-ND
14	Bottom Pop Bumper	9	CN8	9	ORG RED	48V	1-4	GRY BRN	Playfield	Coil - 26-1200	9-DR-4	090-5044-ND
15												
16	1 Bank Drop	9	CN7	3	YEL ORG	48V	1	GRY BRN	Playfield	Coil - 25-1240	9-DR-6	090-5034-ND
17	U/P Lock	9	CN7	2	YEL GRN	48V	1	GRY BRN	Playfield	Coil - 27-950	9-DR-8	090-5046-01-ND
18	Magnet	9	CN7	4	BRN BLK	48V	1	GRY BRN	Playfield	Coil - 22-650	9-DR-7	511-5065-ND
19	Left/Right Gate	9	CN8	5	YEL BLU	48V	1-4	GRY BRN	Playfield	Coil - 32-1250	9-DR-0	090-5060-01-ND
20												
21												
22	Shield	9	CN8	6	YEL GRY	48V	1-4	GRY BRN	Playfield	Coil - 23-800	9-DR-5	090-5001-ND
23												
24	Castle VUK	9	CN8	7	YEL VIO	48V	1-4	GRY BRN	Playfield	Coil - 24-940	9-DR-1	090-5036-ND
25												
26	Right 3 Bank Drop	8	CN7	3	YEL BLK	48V	1	GRY ORG	Playfield	Coil - 25-1240	8-DR-6	090-5034-ND
27												
28												
29												
30												
31												
32												
33	Coin Meter	1	CN3	2	BLK	12V	1	RED	Cabinet	Digital Out	1-DR-2	500-9946-00
34	Ticket Meter	1	CN4	2	BLK	12V	1	RED	Cabinet	Digital Out	1-DR-3	500-9946-00
35	Ticket Dispenser	1	CN11	3		12V	1		Cabinet	Digital Out	1-DR-4	

Continued on next page...



DRIVER REFERENCE CONTINUED

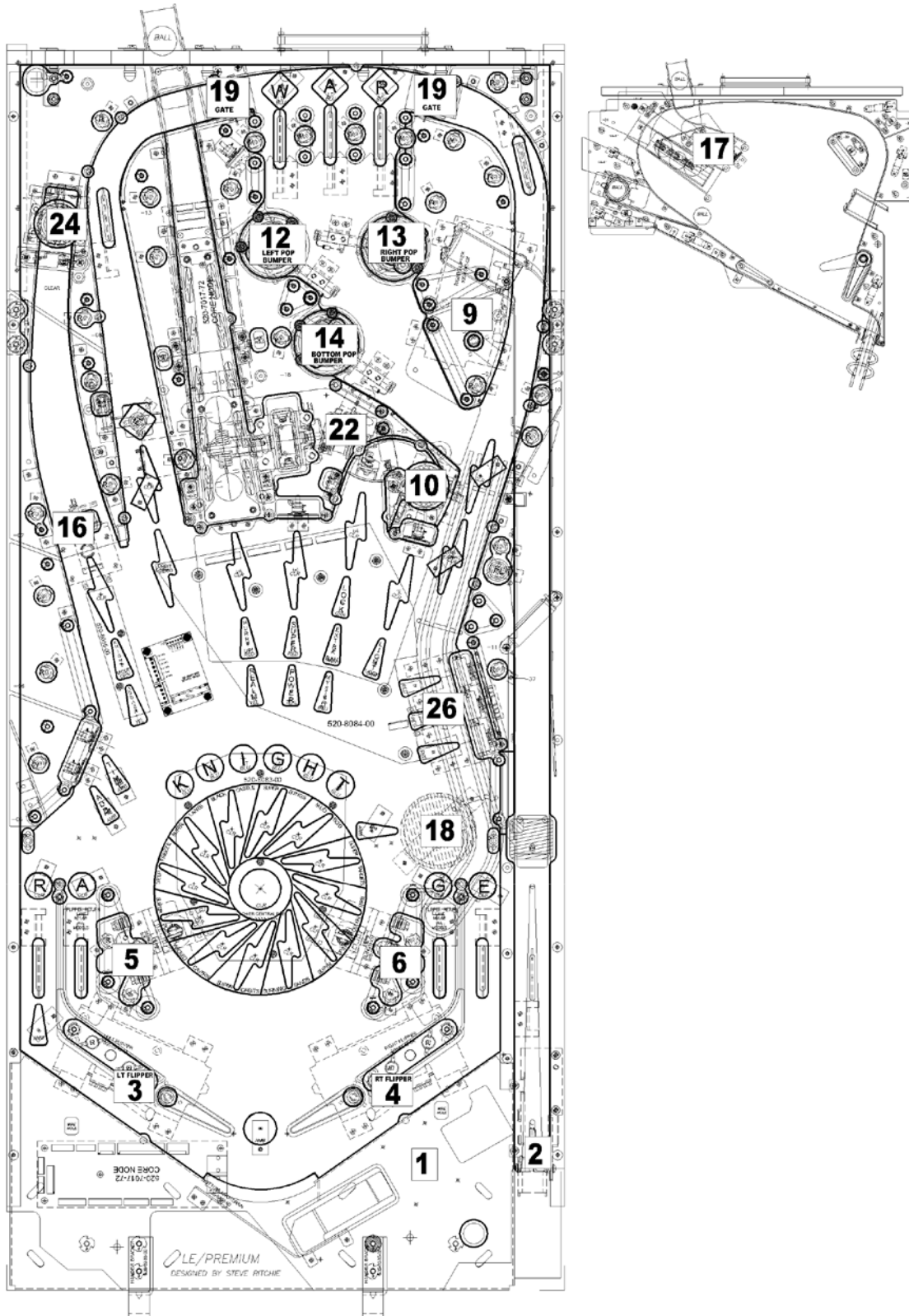


Figure 3.2.1. Playfield driver locations (top view).



### 3.3 SWITCH REFERENCE

ID	Name	Node	Node Ext	Conn.	Input Pin	Input Wire	GND Pin	Ground Wire	Location	Type	Address	Part Number
1	Left Outlane	8	-	CN11	4	LGN RED	11/12	BLK ORG	Playfield	Rollover	8-SW-17	500-9935-03
2	Left Return Lane	8	-	CN11	5	LGN ORG	11/12	BLK ORG	Playfield	Rollover	8-SW-18	500-9935-03
3												
4												
5	Right Return Lane	8	-	CN11	6	LGN YEL	11-12	BLK ORG	Playfield	Rollover	8-SW-19	500-9935-04
6	Right Outlane	8	-	CN11	7	LGN BLU	11-12	BLK ORG	Playfield	Rollover	8-SW-20	500-9935-04
7	Left Slingshot	8	-	CN10	4	GRY BLU	8	BLK GRN	Playfield	Leaf	8-SW-30	180-5231-00
8	Right Slingshot	8	-	CN10	3	GRY VIO	8	BLK GRN	Playfield	Leaf	8-SW-29	180-5231-00
9	Left Flipper Button	8	-	CN9	4	GRY BRN	7	BLK GRN	Cabinet	Leaf	8-SW-25	180-5160-01
10	Right Flipper Button	8	-	CN9	3	GRY RED	7	BLK GRN	Cabinet	Leaf	8-SW-24	180-5164-01
11	Left Flipper EOS	8	-	CN10	6	GRY YEL	9	BLK GRN	Playfield	Leaf	8-SW-16	180-5149-00
12	Right Flipper EOS	8	-	CN10	5	GRY GRN	9	BLK GRN	Playfield	Leaf	8-SW-31	180-5149-00
13												
14	U/P Right Flipper Button	8	-	CN9	5	VIO WHT	8	BLK VIO	Playfield	Leaf	8-SW-26	180-5164-01
15	Trough 6	8	8a	CN14	-		-		Playfield	Opto	8-SW-32	520-5344-00 tx 520-7001-00 rx
16	Trough 5	8	8a	CN14	-		-		Playfield	Opto	8-SW-33	520-5344-00 tx 520-7001-00 rx
17	Trough 4	8	8a	CN14	-		-		Playfield	Opto	8-SW-34	520-5344-00 tx 520-7001-00 rx
18	Trough 3	8	8a	CN14	-		-		Playfield	Opto	8-SW-35	520-5344-00 tx 520-7001-00 rx
19	Trough 2	8	8a	CN14	-		-		Playfield	Opto	8-SW-36	520-5344-00 tx 520-7001-00 rx
20	Trough 1	8	8a	CN14	-		-		Playfield	Opto	8-SW-37	520-5344-00 tx 520-7001-00 rx
21	Trough Jam	8	8a	CN14	-		-		Playfield	Opto	8-SW-38	520-5344-00 tx 520-7001-00 rx
22	Shooter Lane	8	-	CN10	2	GRY WHT	7	BLK GRN	Playfield	Rollover	8-SW-28	180-5157-01
23	Shooter Lane 2	8	-	CN12	2	WHT BRN	10	BLK RED	Playfield	Rollover	8-SW-8	500-9935-04
24	U/P Right Flipper EOS	8	-	CN12	9	PNK BRN	10	BLK RED	Playfield	Leaf	8-SW-15	180-5149-00
25												
26	Lower Left 2 Bank Target Bottom	8	-	CN12	3	WHT RED	10	BLK RED	Playfield	Leaf,Target	8-SW-9	515-9783-00-00
27	Lower Left 2 Bank Target Top	8	-	CN12	4	WHT ORG	10	BLK RED	Playfield	Leaf,Target	8-SW-10	515-9783-00-00
28												
29												
30												
31												
32												
33	Right 3 Bank Drop Top	8	-	CN12	5	WHT YEL	10	BLK RED	Playfield	Opto	8-SW-11	520-5252-13
34	Right 3 Bank Drop Middle	8	-	CN12	6	WHT GRN	10	BLK RED	Playfield	Opto	8-SW-12	520-5252-13
35	Right 3 Bank Drop Bottom	8	-	CN12	7	WHT BLU	10	BLK RED	Playfield	Opto	8-SW-13	520-5252-13
36												
37												
38												
39												
40												
41	Left 1 Bank Drop	9	-	CN9	3	TAN BLK	7/8	BLK BLU	Playfield	Opto	9-SW-24	520-5252-01
42												
43												
44												
45	Castle VUK	9	-	CN10	5	GRY ORG	7/8/9	BLK BLU	Playfield	Micro	9-SW-31	180-5209-00
46												

Continued on next page...



SWITCH REFERENCE CONTINUED

ID	Name	Node	Node Ext	Conn.	Input Pin	Input Wire	GND Pin	Ground Wire	Location	Type	Address	Part Number
47	Left Spinner	9	-	CN11	4	TAN YEL	11/12	BLK GRY	Playfield	Micro	9-SW-17	180-5010-04
48	Left Orbit	9	-	CN11	5	TAN GRN	11/12	BLK GRY	Playfield	Rollover	9-SW-18	500-9935-04
49												
50	Flail Opto Enter	9	-	CN11	6	TAN BLU	11/12	BLK GRY	Playfield	Opto	9-SW-19	515-0215-00 tx 515-0215-01 rx
51	Flail Exit	9	-	CN11	7	TAN VIO	11/12	BLK GRY	Playfield	Micro	9-SW-20	180-5087-00
52												
53	Flail Motor Opto 1	9	-	CN12	5	PNK GRN	10	BLK WHT	Playfield	Opto	9-SW-11	520-8056-00
54	Flail Motor Opto 2	9	-	CN12	6	PNK BLU	10	BLK WHT	Playfield	Opto	9-SW-12	520-8056-00
55	Flail Opto Mid	9	-	CN11	3	LGN	11/12	BLK GRY	Playfield	Opto	9-SW-27	515-0215-00 tx 515-0215-01 rx
56	Center Target	9	-	CN11	9	TAN	11/12	BLK GRY	Playfield	Leaf,Target	9-SW-22	515-9784-00-00
57												
58	Shield Opto	9	-	CN11	10	LGN GRY	11-12	BLK GRY	Playfield	Opto	9-SW-23	515-0215-00 tx 515-0215-01 rx
59	Shield Target	8	-	CN11	10	LGN WHT	11-12	BLK ORG	Playfield	Leaf,Target	8-SW-23	515-9783-00-00
60	Shield VUK	8	-	CN11	8	LGN VIO	11-12	BLK ORG	Playfield	Micro	8-SW-21	180-5209-00
61												
62												
63												
64	Right Orbit	9	-	CN12	8	PNK GRY	10	BLK WHT	Playfield	Rollover	9-SW-14	500-9935-03
65												
66	Top Lane Left	9	-	CN12	2	PNK-RED	10	BLK WHT	Playfield	Rollover	9-SW-8	500-9935-03
67	Top Lane Center	9	-	CN12	3	PNK-ORG	10	BLK WHT	Playfield	Rollover	9-SW-9	500-9935-03
68	Top Lane Right	9	-	CN12	4	PNK-YEL	10	BLK WHT	Playfield	Rollover	9-SW-10	500-9935-03
69												
70	Left Pop Bumper	9	-	CN10	2	GRY BLK	7/8/9	BLK BLU	Playfield	Leaf	9-SW-28	180-5232-00
71	Right Pop Bumper	9	-	CN10	3	GRY BRN	7/8/9	BLK BLU	Playfield	Leaf	9-SW-29	180-5232-00
72	Bottom Pop Bumper	9	-	CN10	4	GRY RED	7/8/9	BLK BLU	Playfield	Leaf	9-SW-30	180-5232-00
73												
74												
75												
76												
77												
78												
79												
80	U/P Left Orbit Opto	9	-	CN13	2	LGN BLK	10	BLK BRN	Playfield	Opto	9-SW-0	515-0215-00 tx 515-0215-01 rx
81	U/P Right Orbit Opto	9	-	CN13	3	LGN BRN	10	BLK BRN	Playfield	Opto	9-SW-1	515-0215-00 tx 515-0215-01 rx
82	U/P Target	9	-	CN13	4	LGN RED	10	BLK BRN	Playfield	Opto	9-SW-2	515-9783-00-02
83	U/P Lock 1	9	-	CN13	5	LGN ORG	10	BLK BRN	Playfield	Opto	9-SW-3	520-8114-00 tx 520-8101-00 rx
84	U/P Lock 2	9	-	CN13	6	LGN YEL	10	BLK BRN	Playfield	Opto	9-SW-4	520-8114-00 tx 520-8101-00 rx
85	U/P Lock 3	9	-	CN13	7	LGN BLU	10	BLK BRN	Playfield	Opto	9-SW-5	520-8114-00 tx 520-8101-00 rx
86												
87												
88												
89												
90												
91												

Continued on next page...



**SWITCH REFERENCE CONTINUED**

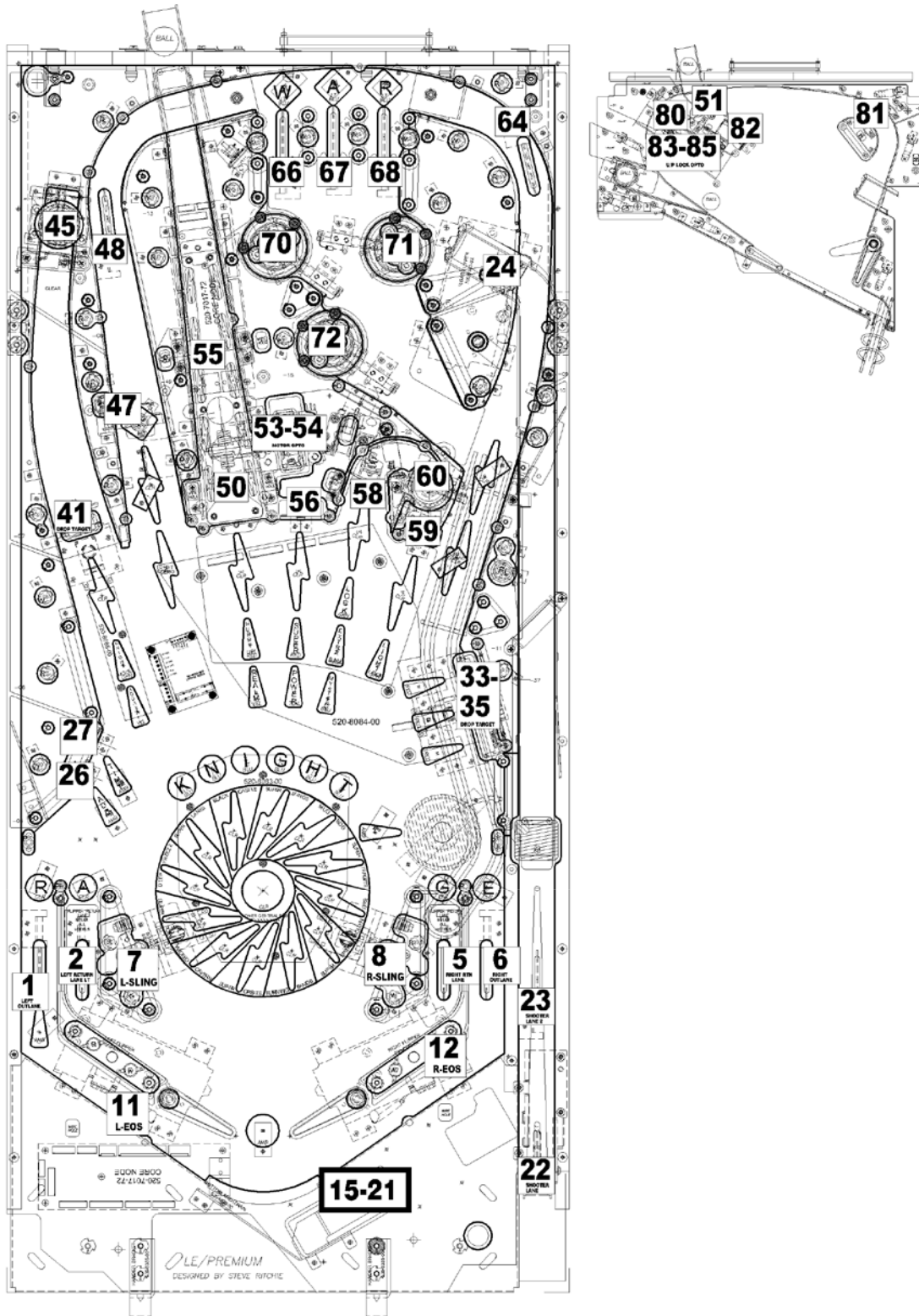


Figure 3.3.1. Playfield switch locations (top view).

Continued on next page...



SWITCH REFERENCE CONTINUED

ID	Name	Node	Node Ext	Conn.	Input Pin	Input Wire	GND Pin	Ground Wire	Location	Type	Address	Part Number
92												
93												
94												
95												
96												
97												
98												
99												
100	Lockdown Button	1	-	CN7	8	TAN WHT	5	BLK WHT	Cabinet	Leaf	1-SW-2	180-5218-00
101												
102												
103	Start Button	1	-	CN6	10	GRY	5	BLK WHT	Cabinet	Micro	1-SW-11	500-1060-44-LED
104	Tournament Start Button	1	-	CN6	9	GRY WHT	5	BLK WHT	Cabinet	Micro	1-SW-12	500-6587-06-TL
105												
106	Left Coin	1	-	CN5	9	PNK BRN	3	BLK	Cabinet	Micro	1-SW-16	
107	Right Coin	1	-	CN5	7	PNK ORG	3	BLK	Cabinet	Micro	1-SW-18	
108	Center Coin	1	-	CN5	8	PNK RED	3	BLK	Cabinet	Micro	1-SW-17	
109	Fourth Coin	1	-	CN5	6		-		Cabinet	-	1-SW-19	
110	Fifth Coin	1	-	CN5	5		-		Cabinet	-	1-SW-20	
111	Tilt Pendulum	1	-	CN6	7	WHT	5	BLK WHT	Cabinet	Plumb Bob	1-SW-14	516-0007-00
112	Sixth Coin	1	-	CN9	5		-		Cabinet	-	1-SW-21	
113	Slam Tilt	1	-	CN5	4	LGN RED	3	BLK	Cabinet	-	1-SW-22	
114	Ticket Notch	1	-	CN11	5		-		Cabinet	-	1-SW-8	
115												
C1	DIP 1	0	-	-	-		-		CPU Node		0-SW-0	-
C10	Service Plus	0	-	CN25	3	LGN VIO	6	BLK	Coin Door		0-SW-9	180-5192-02
C11	Service Minus	0	-	CN25	2	LGN BLU	6	BLK	Coin Door		0-SW-10	180-5192-02
C12	Service Back	0	-	CN25	1	LGN BLK	6	BLK	Coin Door		0-SW-11	180-5192-00
C17	Headphone Detect	0	-	-	-		-	-	Coin Door		0-SW-16	-
C18	Headphone Kit Cable Detect	0	-	CN3	5	BLK	4	BLK	CPU Node		0-SW-17	-
C19	Volume Encoder 1	0	-	CN3	6	WHT	1	DRAIN	CPU Node		0-SW-18	-
C2	DIP 2	0	-	-	-		-		CPU Node		0-SW-1	-
C20	Volume Encoder 2	0	-	CN3	7	GRN	1	DRAIN	CPU Node		0-SW-19	-
C24	DC Sense	0	-	CN7	4	GRY RED	1	BLK	-		0-SW-23	-
C3	DIP 3	0	-	-	-		-		CPU Node		0-SW-2	-
C4	DIP 4	0	-	-	-		-		CPU Node		0-SW-3	-
C5	DIP 5	0	-	-	-		-		CPU Node		0-SW-4	-
C6	DIP 6	0	-	-	-		-		CPU Node		0-SW-5	-
C7	DIP 7	0	-	-	-		-		CPU Node		0-SW-6	-
C8	DIP 8	0	-	-	-		-		CPU Node		0-SW-7	-
C9	Service Select	0	-	CN25	4	LGN GRY	6	BLK	Coin Door		0-SW-8	180-5192-04



### 3.4 LIGHT REFERENCE

ID	Name	Node	Node Ext.	Conn.	Ret. Pin	Ret. Wire	Src. Pin	Src. Wire	Location	Type	Light Color	Address	Part Number
1	Coin Enable	1	-	CN8	6	BLK GRY	2	GRY RED	Coin Door	Digital Out		1-LP-0	
2	Start Button	1	-	CN6	3	YEL BRN	1	RED	Cabinet	Feature	White	1-LP-2	113-5071-00
3	Tournament Start	1	-	CN6	2	YEL RED	1	RED	Cabinet	Feature	White	1-LP-3	112-5033-08
4	Lockdown Button-R	1	-	CN7	2	RED WHT	1	RED	Cabinet	Feature	RGB	1-LP-5	520-5333-00
5	Lockdown Button-G	1	-	CN7	3	GRN WHT	1	RED	Cabinet	Feature	RGB	1-LP-4	520-5333-00
6	Lockdown Button-B	1	-	CN7	4	BLU WHT	1	RED	Cabinet	Feature	RGB	1-LP-7	520-5333-00
7													
8													
9													
10													
11	Left Outlane	8	b	CN3	4	BRN BLU	1/2/3	RED	Playfield	Feature	White	8-LP-56	520-5307-00
12	Left Return Lane	8	b	CN3	5	BRN VIO	1/2/3	RED	Playfield	Feature	White	8-LP-57	520-5307-00
13	Kickback	8	-	CN14	6	BRN ORG	7/8	YEL	Playfield	Feature	White	8-LP-3	520-5307-00
14	Shoot Again	8	-	CN14	5	BRN YEL	7/8	YEL	Playfield	Feature	White	8-LP-4	520-5307-00
15	Right Return Lane	8	b	CN3	9	YEL ORG	1/2/3	RED	Playfield	Feature	White	8-LP-61	520-5307-00
16	Right Outlane	8	b	CN3	10	YEL GRY	1/2/3	RED	Playfield	Feature	White	8-LP-62	520-5307-00
17													
18	(K)NIGHT	8	b	-	LED18	-	-	-	Playfield	Feature	White	8-LP-49	520-8083-00
19	K(N)IGHT	8	b	-	LED17	-	-	-	Playfield	Feature	White	8-LP-48	520-8083-00
20	KN(I)GHT	8	b	-	LED16	-	-	-	Playfield	Feature	White	8-LP-47	520-8083-00
21	KNI(G)HT	8	b	-	LED15	-	-	-	Playfield	Feature	White	8-LP-46	520-8083-00
22	KNIG(H)T	8	b	-	LED14	-	-	-	Playfield	Feature	White	8-LP-45	520-8083-00
23	KNIGH(T)	8	b	-	LED13	-	-	-	Playfield	Feature	White	8-LP-44	520-8083-00
24	Magna-Save	8	b	CN3	8	YEL BRN	1/2/3	RED	Playfield	Feature	White	8-LP-60	520-5307-00
25													
26	Lightning Bolt 1-R	8	b	-	LED12	-	-	-	Playfield	Feature	RGB	8-LP-41	520-8083-00
27	Lightning Bolt 1-G	8	b	-	LED12	-	-	-	Playfield	Feature	RGB	8-LP-42	520-8083-00
28	Lightning Bolt 1-B	8	b	-	LED12	-	-	-	Playfield	Feature	RGB	8-LP-43	520-8083-00
29	Lightning Bolt 2-R	8	b	-	LED11	-	-	-	Playfield	Feature	RGB	8-LP-38	520-8083-00
30	Lightning Bolt 2-G	8	b	-	LED11	-	-	-	Playfield	Feature	RGB	8-LP-39	520-8083-00
31	Lightning Bolt 2-B	8	b	-	LED11	-	-	-	Playfield	Feature	RGB	8-LP-40	520-8083-00
32	Lightning Bolt 3-R	8	b	-	LED10	-	-	-	Playfield	Feature	RGB	8-LP-35	520-8083-00
33	Lightning Bolt 3-G	8	b	-	LED10	-	-	-	Playfield	Feature	RGB	8-LP-36	520-8083-00
34	Lightning Bolt 3-B	8	b	-	LED10	-	-	-	Playfield	Feature	RGB	8-LP-37	520-8083-00
35	Lightning Bolt 4-R	8	b	-	LED09	-	-	-	Playfield	Feature	RGB	8-LP-32	520-8083-00
36	Lightning Bolt 4-G	8	b	-	LED09	-	-	-	Playfield	Feature	RGB	8-LP-33	520-8083-00
37	Lightning Bolt 4-B	8	b	-	LED09	-	-	-	Playfield	Feature	RGB	8-LP-34	520-8083-00
38	Lightning Bolt 5-R	8	b	-	LED08	-	-	-	Playfield	Feature	RGB	8-LP-29	520-8083-00
39	Lightning Bolt 5-G	8	b	-	LED08	-	-	-	Playfield	Feature	RGB	8-LP-30	520-8083-00
40	Lightning Bolt 5-B	8	b	-	LED08	-	-	-	Playfield	Feature	RGB	8-LP-31	520-8083-00
41	Lightning Bolt 6-R	8	b	-	LED07	-	-	-	Playfield	Feature	RGB	8-LP-26	520-8083-00
42	Lightning Bolt 6-G	8	b	-	LED07	-	-	-	Playfield	Feature	RGB	8-LP-27	520-8083-00
43	Lightning Bolt 6-B	8	b	-	LED07	-	-	-	Playfield	Feature	RGB	8-LP-28	520-8083-00
44	Lightning Bolt 7-R	8	b	-	LED06	-	-	-	Playfield	Feature	RGB	8-LP-23	520-8083-00
45	Lightning Bolt 7-G	8	b	-	LED06	-	-	-	Playfield	Feature	RGB	8-LP-24	520-8083-00
46	Lightning Bolt 7-B	8	b	-	LED06	-	-	-	Playfield	Feature	RGB	8-LP-25	520-8083-00
47	Lightning Bolt 8-R	8	b	-	LED05	-	-	-	Playfield	Feature	RGB	8-LP-20	520-8083-00
48	Lightning Bolt 8-G	8	b	-	LED05	-	-	-	Playfield	Feature	RGB	8-LP-21	520-8083-00
49	Lightning Bolt 8-B	8	b	-	LED05	-	-	-	Playfield	Feature	RGB	8-LP-22	520-8083-00
50	Lightning Bolt 9-R	8	b	-	LED04	-	-	-	Playfield	Feature	RGB	8-LP-17	520-8083-00
51	Lightning Bolt 9-G	8	b	-	LED04	-	-	-	Playfield	Feature	RGB	8-LP-18	520-8083-00

Continued on next page...





## LIGHT REFERENCE CONTINUED

ID	Name	Node	Node Ext.	Conn.	Ret. Pin	Ret. Wire	Src. Pin	Src. Wire	Location	Type	Light Color	Address	Part Number
52	Lightning Bolt 9-B	8	b	-	LED04	-	-	-	Playfield	Feature	RGB	8-LP-19	520-8083-00
53	Lightning Bolt 10-R	8	b	-	LED03	-	-	-	Playfield	Feature	RGB	8-LP-14	520-8083-00
54	Lightning Bolt 10-G	8	b	-	LED03	-	-	-	Playfield	Feature	RGB	8-LP-15	520-8083-00
55	Lightning Bolt 10-B	8	b	-	LED03	-	-	-	Playfield	Feature	RGB	8-LP-16	520-8083-00
56	Lightning Bolt 11-R	8	b	-	LED02	-	-	-	Playfield	Feature	RGB	8-LP-11	520-8083-00
57	Lightning Bolt 11-G	8	b	-	LED02	-	-	-	Playfield	Feature	RGB	8-LP-12	520-8083-00
58	Lightning Bolt 11-B	8	b	-	LED02	-	-	-	Playfield	Feature	RGB	8-LP-13	520-8083-00
59	Lightning Bolt 12-R	8	b	-	LED01	-	-	-	Playfield	Feature	RGB	8-LP-8	520-8083-00
60	Lightning Bolt 12-G	8	b	-	LED01	-	-	-	Playfield	Feature	RGB	8-LP-9	520-8083-00
61	Lightning Bolt 12-B	8	b	-	LED01	-	-	-	Playfield	Feature	RGB	8-LP-10	520-8083-00
62													
63	Left 2 Bank Target-Bottom	8	b	CN3	6	BRN GRY	1/2/3	RED	Playfield	Feature	White	8-LP-58	520-5307-00
64	Left 2 Bank Target-Top	8	b	CN3	7	BRN WHT	1/2/3	RED	Playfield	Feature	White	8-LP-59	520-5307-00
65													
66	Castle Lightning Bolt-R	9	a	CN3	4	RED YEL	1/2/3	RED	Playfield	Feature	RGB	9-LP-41	520-8085-00
67	Castle Lightning Bolt-G	9	a	CN3	5	GRN YEL	1/2/3	RED	Playfield	Feature	RGB	9-LP-42	520-8085-00
68	Castle Lightning Bolt-B	9	a	CN3	6	BLU YEL	1/2/3	RED	Playfield	Feature	RGB	9-LP-43	520-8085-00
69	Knight Mode	9	a	CN3	7	BRN ORG	1/2/3	RED	Playfield	Feature	White	9-LP-44	520-8085-00
70	Add-a-Ball	9	a	CN3	8	BRN YEL	1/2/3	RED	Playfield	Feature	White	9-LP-45	520-8085-00
71													
72	Left Orbit Lightning Bolt 1-R	9	a	CN5	6	RED VIO	1/2/3/4/5	RED	Playfield	Feature	RGB	9-LP-56	520-5333-00
73	Left Orbit Lightning Bolt 1-G	9	a	CN5	7	GRN VIO	1/2/3/4/5	RED	Playfield	Feature	RGB	9-LP-57	520-5333-00
74	Left Orbit Lightning Bolt 1-B	9	a	CN5	8	BLU VIO	1/2/3/4/5	RED	Playfield	Feature	RGB	9-LP-58	520-5333-00
75	Left Orbit Lightning Bolt 2-R	9	a	-	LED15	-	-	-	Playfield	Feature	RGB	9-LP-30	520-8084-00
76	Left Orbit Lightning Bolt 2-G	9	a	-	LED15	-	-	-	Playfield	Feature	RGB	9-LP-31	520-8084-00
77	Left Orbit Lightning Bolt 2-B	9	a	-	LED15	-	-	-	Playfield	Feature	RGB	9-LP-32	520-8084-00
78													
79	Flail Lightning Bolt-R	9	a	-	LED14	-	-	-	Playfield	Feature	RGB	9-LP-27	520-8084-00
80	Flail Lightning Bolt-G	9	a	-	LED14	-	-	-	Playfield	Feature	RGB	9-LP-28	520-8084-00
81	Flail Lightning Bolt-B	9	a	-	LED14	-	-	-	Playfield	Feature	RGB	9-LP-29	520-8084-00
82	Flail Arrow 1	9	a	-	LED12	-	-	-	Playfield	Feature	White	9-LP-23	520-8084-00
83	Flail Arrow 2	9	a	-	LED23	-	-	-	Playfield	Feature	White	9-LP-40	520-8084-00
84													
85	Center Target Lightning Bolt-R	9	a	-	LED13	-	-	-	Playfield	Feature	RGB	9-LP-24	520-8084-00
86	Center Target Lightning Bolt-G	9	a	-	LED13	-	-	-	Playfield	Feature	RGB	9-LP-25	520-8084-00
87	Center Target Lightning Bolt-B	9	a	-	LED13	-	-	-	Playfield	Feature	RGB	9-LP-26	520-8084-00
88	Center Target Arrow 1	9	a	-	LED11	-	-	-	Playfield	Feature	White	9-LP-22	520-8084-00
89	Center Target Arrow 2	9	a	-	LED8	-	-	-	Playfield	Feature	White	9-LP-15	520-8084-00

Continued on next page...



## LIGHT REFERENCE CONTINUED

ID	Name	Node	Node Ext.	Conn.	Ret. Pin	Ret. Wire	Src. Pin	Src. Wire	Location	Type	Light Color	Address	Part Number
90													
91	Shield Lightning Bolt-R	9	a	-	LED10	-	-	-	Playfield	Feature	RGB	9-LP-19	520-8084-00
92	Shield Lightning Bolt-G	9	a	-	LED10	-	-	-	Playfield	Feature	RGB	9-LP-20	520-8084-00
93	Shield Lightning Bolt-B	9	a	-	LED10	-	-	-	Playfield	Feature	RGB	9-LP-21	520-8084-00
94	Right Lock	9	a	-	LED5	-	-	-	Playfield	Feature	White	9-LP-12	520-8084-00
95	Extra Ball	9	a	-	LED6	-	-	-	Playfield	Feature	White	9-LP-13	520-8084-00
96	Mystery	9	a	-	LED7	-	-	-	Playfield	Feature	White	9-LP-14	520-8084-00
97													
98	Shield Target Lightning Bolt-R	9	a	-	LED9	-	-	-	Playfield	Feature	RGB	9-LP-16	520-8084-00
99	Shield Target Lightning Bolt-G	9	a	-	LED9	-	-	-	Playfield	Feature	RGB	9-LP-17	520-8084-00
100	Shield Target Lightning Bolt-B	9	a	-	LED9	-	-	-	Playfield	Feature	RGB	9-LP-18	520-8084-00
101	Light Lock	9	a	-	LED4	-	-	-	Playfield	Feature	White	9-LP-11	520-8084-00
102													
103	Right Orbit Lightning Bolt 1-R	9	a	CN4	5	RED GRN	1/2/3/4	RED	Playfield	Feature	RGB	9-LP-48	520-5333-00
104	Right Orbit Lightning Bolt 1-G	9	a	CN4	6	GRN	1/2/3/4	RED	Playfield	Feature	RGB	9-LP-49	520-5333-00
105	Right Orbit Lightning Bolt 1-B	9	a	CN4	7	BLU GRN	1/2/3/4	RED	Playfield	Feature	RGB	9-LP-50	520-5333-00
106	Right Orbit Lightning Bolt 2-R	9	a	CN4	8	RED BLU	1/2/3/4	RED	Playfield	Feature	RGB	9-LP-51	520-5333-00
107	Right Orbit Lightning Bolt 2-G	9	a	CN4	9	GRN BLU	1/2/3/4	RED	Playfield	Feature	RGB	9-LP-52	520-5333-00
108	Right Orbit Lightning Bolt 2-B	9	a	CN4	10	BLU	1/2/3/4	RED	Playfield	Feature	RGB	9-LP-53	520-5333-00
109													
110	Right 3 Bank Drop-Top	9	a	-	LED3	-	-	-	Playfield	Feature	White	9-LP-10	520-8084-00
111	Right 3 Bank Drop-Mid	9	a	-	LED2	-	-	-	Playfield	Feature	White	9-LP-9	520-8084-00
112	Right 3 Bank Drop-Bottom	9	a	-	LED1	-	-	-	Playfield	Feature	White	9-LP-8	520-8084-00
113													
114													
115	Top Lane-(W)AR	9	a	CN2	5	YEL GRN	1/2/3/4	RED	Playfield	Feature	White	9-LP-33	520-5307-00
116	Top Lane-W(A)R	9	a	CN2	6	YEL BLU	1/2/3/4	RED	Playfield	Feature	White	9-LP-34	520-5307-00
117	Top Lane-WA(R)	9	a	CN2	7	YEL VIO	1/2/3/4	RED	Playfield	Feature	White	9-LP-35	520-5307-00
118													
119													
120	Flame Panel	9	-	CN15	7	BLU BLK	3	YEL BLU	Playfield	Feature	LED	9-LP-2	511-7979-00
121													
122													
123													
124													
125	Knight Left Eye	9	a	CN5	9	BRN GRN	1/2/3/4/5	RED	Playfield	Feature	Red	9-LP-59	520-8097-00
126	Knight Right Eye	9	a	CN5	10	BRN BLU	1/2/3/4/5	RED	Playfield	Feature	Red	9-LP-60	520-8097-00
127	Knight Mask-R	9	a	CN5	11	RED GRY	1/2/3/4/5	RED	Playfield	Feature	RGB	9-LP-61	520-8097-00
128	Knight Mask-G	9	a	CN5	12	GRN GRY	1/2/3/4/5	RED	Playfield	Feature	RGB	9-LP-62	520-8097-00

Continued on next page...



# SPIKE SYSTEM AND NODE GUIDE

## LIGHT REFERENCE CONTINUED

ID	Name	Node	Node Ext.	Conn.	Ret. Pin	Ret. Wire	Src. Pin	Src. Wire	Location	Type	Light Color	Address	Part Number
129	Knight Mask-B	9	a	CN5	13	BLU GRY	1/2/3/4/5	RED	Playfield	Feature	RGB	9-LP-63	520-8097-00
130													
131	Lock 1	9	a	CN2	11	ORG BLU	CN2-3	RED BRN	Up Playfield	Feature	Green	9-LP-39	520-8114-00
132	Lock 2	9	a	CN3	10	ORG BLK	CN2-3	RED BRN	Up Playfield	Feature	Green	9-LP-47	520-8114-00
133	Lock 3	9	a	CN4	12	ORG WHT	CN2-3	RED BRN	Up Playfield	Feature	Green	9-LP-55	520-8114-00
134													
135													
136													
137													
138													
139													
140	Left Flood-R	8	-	CN14	4	RED BRN	7/8	YEL	Up Playfield	Feature	RGB	8-LP-5	520-8051-00
141	Left Flood-G	8	-	CN14	3	GRN BRN	7/8	YEL	Up Playfield	Feature	RGB	8-LP-6	520-8051-00
142	Left Flood-B	8	-	CN14	2	BLU BRN	7/8	YEL	Up Playfield	Feature	RGB	8-LP-7	520-8051-00
143	Right Flood-R	9	-	CN14	4	RED ORG	7/8	YEL	Up Playfield	Feature	RGB	9-LP-5	520-8051-00
144	Right Flood-G	9	-	CN14	3	GRN ORG	7/8	YEL	Up Playfield	Feature	RGB	9-LP-6	520-8051-00
145	Right Flood-B	9	-	CN14	2	BLU ORG	7/8	YEL	Up Playfield	Feature	RGB	9-LP-7	520-8051-00
146													
147													
148													
149													
150	Coin Door GI	1	-	CN5	2	YEL	1	YEL-WHT	Coin Door	G.I.	White	1-LP-1	112-5033-08
151	Bottom GI-RED	8	-	CN15	5	RED BLK	1	YEL RED	Playfield	G.I.	Red	8-LP-0	112-5034-02
152	Bottom GI-WHT	8	-	CN15	6	WHT BLK	2	YEL BLK	Playfield	G.I.	White	8-LP-1	112-5034-08 520-5307-00(Bot.Arch)
153													
154	Top GI-RED	9	-	CN15	5	RED BLK	1	YEL GRN	Playfield / Up Playfield	G.I.	Red	9-LP-0	112-5034-02
155	Top GI-WHT	9	-	CN15	6	WHT BLK	2	YEL GRN	Playfield	G.I.	White	9-LP-1	112-5034-08
156													
157													
158													
159													
160	Bottom Arch Flash (2x)	8	-	CN15	7	ORG BLK	3	YEL	Playfield	Flash	White	8-LP-2	520-7000-00
161													
162													
163	Center Flash	8	b	-	LED19	-	-	-	Playfield	Flash	Red	8-LP-50	520-8083-00
164													
165	Left Orbit Flash	9	a	CN3	9	ORG VIO	1/2/3	RED	Playfield	Flash	White	9-LP-46	113-5045-08
166	Shield VUK Flash	9	a	CN4	11	ORG GRY	1/2/3/4	RED	Playfield	Flash	White	9-LP-54	113-5045-08
167													
168													
169													
170	Left Pop Bumper	9	a	CN2	8	BRN BLK	1/2/3/4	RED	Playfield	Flash	White	9-LP-36	520-8059-00
171	Right Pop Bumper	9	a	CN2	9	BRN	1/2/3/4	RED	Playfield	Flash	White	9-LP-37	520-8059-00
172	Bottom Pop Bumper	9	a	CN2	10	BRN RED	1/2/3/4	RED	Playfield	Flash	White	9-LP-38	520-8059-00
173													
174	Flail Flash 1 (2x)	8	b	CN2	4	ORG BRN	1/2/3	RED	Playfield	Flash	Red	8-LP-51	520-8060-00
175	Flail Flash 2 (2x)	8	b	CN2	5	ORG RED	1/2/3	RED	Playfield	Flash	Red	8-LP-52	520-8060-00
176	Flail Flash 3 (2x)	8	b	CN2	6	ORG	1/2/3	RED	Playfield	Flash	Red	8-LP-53	520-8060-00

Continued on next page...



**LIGHT REFERENCE CONTINUED**

ID	Name	Node	Node Ext.	Conn.	Ret. Pin	Ret. Wire	Src. Pin	Src. Wire	Location	Type	Light Color	Address	Part Number
177	Flail Flash 4 (2x)	8	b	CN2	7	ORG YEL	1/2/3	RED	Playfield	Flash	Red	8-LP-54	520-8060-00
178	Flail Flash 5 (2x)	8	b	CN2	8	ORG GRN	1/2/3	RED	Playfield	Flash	Red	8-LP-55	520-8060-00
179													
180													

**3.5 MOTOR REFERENCE**

ID	Name	Node	Node Ext.	Conn.	Ret. Pin	Ret. Wire	Src. Pin	Src. Wire	Location	Type	Light Color	Address	Part Number
1	Flail Motor A0	9	-	CN14	6	BRN GRN	7/8	YEL	Playfield	Motor	-	9-LP-3	520-5338-00
2	Flail Motor A1	9	-	CN14	5	BRN BLU	7/8	YEL	Playfield	Motor	-	9-LP-4	520-5338-00
3													
4													
5													
6													
7													
8													
9													
10													



# 4. ELECTRONIC PINOUTS AND SCHEMATICS

## 4.1 SPIKE-2 CPU NODE 0

509-1003-01

### DIRECT SWITCH MAPPING (CN25)

The coin-door diagnostic switches are connected directly to the CPU node via the Cabinet Node. Note that both the CPU and Cabinet nodes are required for diagnostic switch operation.

ID	Name	Conn.	Input Pin	Input Wire	GND Pin	Ground Wire	Location	Type	Address	Part Number
C1	DIP 1	-	-	-	-	-	CPU Node		0-SW-0	-
C2	DIP 2	-	-	-	-	-	CPU Node		0-SW-1	-
C3	DIP 3	-	-	-	-	-	CPU Node		0-SW-2	-
C4	DIP 4	-	-	-	-	-	CPU Node		0-SW-3	-
C5	DIP 5	-	-	-	-	-	CPU Node		0-SW-4	-
C6	DIP 6	-	-	-	-	-	CPU Node		0-SW-5	-
C7	DIP 7	-	-	-	-	-	CPU Node		0-SW-6	-
C8	DIP 8	-	-	-	-	-	CPU Node		0-SW-7	-
C9	Service Select	CN25	1	LGN-GRY	11	BLK-WHT	Coin Door		0-SW-9	180-5192-04
C10	Service Plus	CN25	2	LGN-VIO	11	BLK-WHT	Coin Door		0-SW-10	180-5192-02
C11	Service Minus	CN25	3	LGN-BLU	11	BLK-WHT	Coin Door		0-SW-11	180-5192-02
C12	Service Back	CN25	4	LGN-BLK	11	BLK-WHT	Coin Door		0-SW-12	180-5192-00

### CONNECTORS

ID	Connector Type	Description
CN1	5-Pin .156" Header	Backbox 2-channel amplified speaker out
CN2	3-Pin .100" Header	Console Port
CN3	7-Pin .100" Header	Headphone connector
CN4	2-Pin .156"	Cabinet 1-channel amplified speaker out
CN5	7-Pin .100" Header	Line In/Out
CN6	34 Pin 2.00mm Header	LCD display connector
CN7	5-Pin .156" Header	48V supply from main power supply
CN8	6-Pin .100" Header	SPI Serial
CN9	USB	USB connector - for software updates, audit dumps, and expansion modules
CN9	USB	USB connector - for software updates, audit dumps, and expansion modules
CN10	HDMI	HDMI Out
CN11	RJ45	SPIKE node bus - to cabinet node N1
CN12	RJ45	SPIKE node bus - To Topper accessory Kit
CN13	SD CARD	SD Card connector
CN14	5-Pin .100" Header	LCD Backlight
CN15	3-Pin .100" Header	Backbox Light
CN16	4-Pin .100" Header	3.3v / 5v / 12v
CN17	ETHERNET	ETHERNET connector
CN21	SATA Header	SATA connector
CN22	RJ45	SPIKE node bus - to playfield node
CN25	12-Pin .100" Header	Dedicated switch inputs - service, volume switches

### COMPONENTS

ID	Name
S1	DIP Switches
S2	Reset Switch
SD CARD (CN13)	For system SD card. Note: only to be removed if instructed to by Stern Service.
BT1	BR1225 3V Lithium battery for game clock between power cycles

### STATUS LEDs

LED ID	Name	Color	Description
48V	+48V Supply In	Red	ON: Main system power is connected. OFF: No 48V system power. Check power supply connections, cables, and fuses.
3.3V	+3.3V Logic	Red	ON: Logic power supply is good. OFF: Logic power supply bad, call tech support.
5V	+5V Logic	Red	ON: Logic power supply is good. OFF: Logic power supply bad, call tech support.
12V	+12V Backbox Illumination	Red	ON: Back box LED power good. OFF: Backbox LED power bad, call tech support.
VA	+30V Audio	Red	ON: Audio power supply is good. OFF: Audio power supply off, call tech support.
VNB	+9V Node Bus	Red	Power for the Node bus. ON: Power for node bus good. OFF: Power to node bus not detected, call tech support.
5V (CPU)	+5V Logic	Red	ON: Logic power supply is good. OFF: Logic power supply bad, call tech support.
SDIO ACT	Not Used	Red	Should remain unlit as it is not currently used.
STATUS	CPU Heartbeat, System Status	Red	Double blink ~1/2 second: Good, Processor running. OFF: Processor not running, call tech support.
µSD ACT	Activity indicator for micro SD Card	Red	Should blink rapidly when reading or writing to micro SD card.
D23	Netbridge Status	Red	Should blink once every ~1/2 second.



# SPIKE-2 CPU NODE 0 CONTINUED

## AUDIO PINOUTS

ID	Type	Pin	Description	Minimum Impedance	Max Power (RMS)
CN1	.156" 5-pin Header	1	Speaker Right Ground (-)	4 Ohms	-
		2	Speaker Right (+)	4 Ohms	20W
		3	n/c	-	-
		4	Speaker Left Ground (-)	4 Ohms	-
		5	Speaker Left (+)	4 Ohms	20W
CN3	.100" 7-pin Header	1	GND	-	-
		2	L-HP	16 Ohms	15 mW
		3	R-HP	16 Ohms	15 mW
		4	GND	-	-
		5	Headphone Detect	-	-
		6	Headphone vol +	-	-
		7	Headphone vol -	-	-
CN4	.156" 2-pin Header	1	Woofer Ground (-)	8 Ohms	-
		2	Woofer Out (+)	8 Ohms	40W
CN5	.100" 7-pin Header	1	GND	-	-
		2	L-IN	30K Ohms	0.6VRMS
		3	R-IN	30K Ohms	0.6VRMS
		4	GND	-	-
		5	L-OUT	10K Ohms	1.5V
		6	R-OUT	10K Ohms	1.5V
		7	Woofer Line Out	10K Ohms	1.5V

## COUNTRY CODES (DIP S2)

Country	DIP S2							
	1	2	3	4	5	6	7	8
USA	OFF	OFF	OFF	OFF	OFF	OFF	OFF	OFF
Austria	ON	OFF	OFF	OFF	OFF	OFF	OFF	OFF
Australia	ON	OFF	ON	ON	OFF	OFF	OFF	OFF
Belgium	OFF	ON	OFF	OFF	OFF	OFF	OFF	OFF
Canada 1	ON	ON	OFF	OFF	OFF	OFF	OFF	OFF
Canada 2	OFF	ON	OFF	ON	ON	OFF	OFF	OFF
China	OFF	OFF	ON	ON	ON	OFF	OFF	OFF
Croatia	OFF	ON	ON	OFF	ON	OFF	OFF	OFF
Denmark	ON	OFF	OFF	ON	OFF	OFF	OFF	OFF
Finland	ON	OFF	ON	OFF	OFF	OFF	OFF	OFF
France	OFF	ON	ON	OFF	OFF	OFF	OFF	OFF
Germany	ON	ON	ON	OFF	OFF	OFF	OFF	OFF
Greece	ON	ON	ON	ON	OFF	OFF	OFF	OFF
Italy	OFF	OFF	OFF	ON	OFF	OFF	OFF	OFF
Japan	ON	OFF	ON	OFF	ON	OFF	OFF	OFF
Middle East	ON	ON	ON	OFF	ON	OFF	OFF	OFF
Netherlands	OFF	OFF	ON	OFF	OFF	OFF	OFF	OFF
New Zealand	OFF	OFF	OFF	OFF	ON	OFF	OFF	OFF
Norway	OFF	ON	OFF	ON	OFF	OFF	OFF	OFF
Portugal	ON	OFF	OFF	OFF	OFF	ON	OFF	OFF
Russia	ON	OFF	OFF	ON	ON	ON	OFF	OFF
S. Africa	OFF	OFF	ON	OFF	ON	OFF	OFF	OFF
Spain	OFF	ON	OFF	OFF	ON	OFF	OFF	OFF
Sweden	ON	ON	OFF	ON	OFF	OFF	OFF	OFF
Switzerland	OFF	OFF	ON	ON	OFF	OFF	OFF	OFF
Taiwan	OFF	OFF	OFF	ON	ON	OFF	OFF	OFF
United Kingdom	OFF	ON	ON	ON	OFF	OFF	OFF	OFF

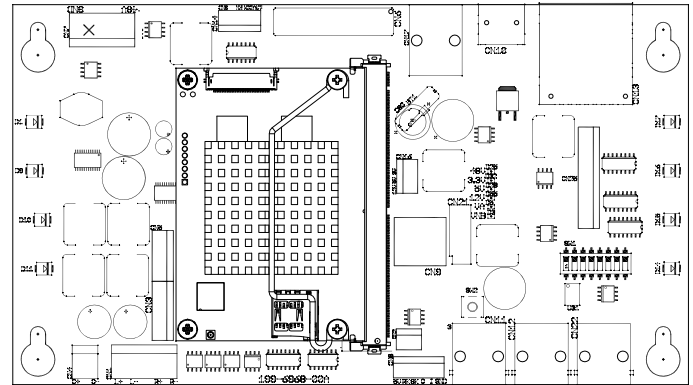


Figure 4.1.1. SPIKE 2 CPU Node connector detail.

## COIN DOOR SERVICE SWITCH WIRING

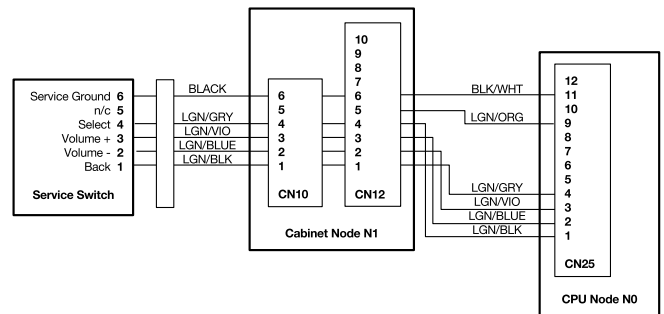


Figure 4.1.2. Service switch wiring. Note that the Cabinet Node must be present and CN10 and CN12 connected for the Coin Door Service Switches to function correctly.

# USA & INTERNATIONAL (NON-EURO) STANDARD PRICING SELECT TABLE

CPU/SOUND PCB DIP SWITCH SW1 SETTING		COUNTRY SETTING OPTION(S)	COIN MECHANISMS (SWITCHES) COINS THRU ... SLOT:				PRICING SCHEME Number of Plays (Credits) for Price Amount Shown See "Appendix J" for Coin Cards Examples & Info!			Requires SPI Coin Card(s) Part Number				
Pos.	1 2 3 4 5 6 7 8	Default Highlighted	LEFT	CENTER	RIGHT	4TH								
ON	1 2 3 4 5 6 7 8	USA 1	0.25	1.00	0.25		USD // UNITED STATES DOLLAR // [ \$ ]			755-5400-01-Y				
OFF	1 2 3 4 5 6 7 8	USA 2					1/0.25			2/0.75	3/1.00	755-5400-02-Y		
<b>HIGHLIGHTED</b> = Factory Default		USA 3					1/0.50			For USA 6 and USA 7 use: 755-5400-02-Y USA 6 Note: If player uses X4 25c quarters = 2 plays. However, \$1 bill = 3 plays!			755-5400-02-Y	
<b>HIGHLIGHTED</b> = Not Shown on Coin Card		USA 4					1/0.50			2/1.00	3/1.50	5/2.00	755-5400-00-Y	
		USA 5					1/0.50			2/1.4 X 25c 3/\$ 1.00 Bill			Used to promote the Bill Validator.	
		USA 6					1/0.50			2/1.00	4/1.50	6/2.00	755-5400-00-Y	
		USA 7					1/0.50			3/1.00			755-5400-07-Y	
		USA 8					1/1.00			2/1.50			3/2.00	755-5400-11-Y
		USA 9					1/1.00			3/2.00				
		USA 10												
		USA 11												
ON	1 2 3 4 5 6 7 8	AUSTRALIA 1	0.20	1.00	2.00		AUD // AUSTRALIAN DOLLARS // [ SAUS ]			755-5406-00-Y				
OFF	1 2 3 4 5 6 7 8	AUSTRALIA 2					1/1.00			3/2.00			(1 Side)	
		AUSTRALIA 3					1/2.00							
		AUSTRALIA 4					1/2.00			2/4.00	3/5.00			
		AUSTRALIA 5					1/3.00			2/5.00	3/8.00	5/10.00		
		AUSTRALIA 6					1/2.00			2/3.00				
ON	1 2 3 4 5 6 7 8	CANADA 1 [25c door]	0.25	0.25	1.00	2.00	CAD // CANADIAN DOLLARS // [ SCAN ]			755-5400-00-Y				
OFF	1 2 3 4 5 6 7 8	CANADA 2 [dollar door]					1/0.50			2/0.75	3/1.00	-01-Y or -02-Y		
ON	1 2 3 4 5 6 7 8	CANADA 2 [dollar door]	1.00			2.00			755-5400-10-Y					
OFF	1 2 3 4 5 6 7 8	CROATIA	1			2			5	755-5410-00-Y (2-Sided)				
ON	1 2 3 4 5 6 7 8	DENMARK 1	1	5	10	20	DKK // DANISH KRONER // [ Kr ]			755-5402-00-Y				
OFF	1 2 3 4 5 6 7 8	DENMARK 2					1/2			2/4	3/5	4/7	5/9	7/10
ON	1 2 3 4 5 6 7 8	JAPAN 1	100		100		JPY // JAPANESE YEN // [ ¥ ]			755-5408-01-Y				
OFF	1 2 3 4 5 6 7 8	JAPAN 2					1/100			3/200			(2-Sided)	
ON	1 2 3 4 5 6 7 8	MIDDLE EAST	token			token			755-5400-06-Y (use Side 1)					
OFF	1 2 3 4 5 6 7 8	MIDDLE EAST	token			token								
ON	1 2 3 4 5 6 7 8	NEW ZEALAND 1	1		2		NZD // NEW ZEALAND DOLLAR // [ SNZD ]			755-5406-00-Y				
OFF	1 2 3 4 5 6 7 8	NEW ZEALAND 2					1/1			3/2			(Side 2)	
ON	1 2 3 4 5 6 7 8	NORWAY 1	10	5	20		NOK // NORWEGIAN KRONE // [ Kr ]			755-5403-01-Y or -02-Y (2-Sided)				
OFF	1 2 3 4 5 6 7 8	NORWAY 2					1/10			3/20			755-5403-03-Y (2-Sided)	
		NORWAY 3					1/10			3/20				
		NORWAY 4					1/20			3/40				
		NORWAY 5					1/10			3/20				
		NORWAY 6					1/10			3/20				
		NORWAY 7					1/20			3/40				
		NORWAY 8					1/20			3/40				
ON	1 2 3 4 5 6 7 8	RUSSIA	10				5	1	RUB // RUSSIAN RUBLE // [ Ruble ]		755-5411-00-Y (2-Sided)			
OFF	1 2 3 4 5 6 7 8	RUSSIA	10				5	1	RUB // RUSSIAN RUBLE // [ Ruble ]		755-5411-00-Y (2-Sided)			
ON	1 2 3 4 5 6 7 8	SO. AFRICA 1	0.50	1.00	1.00	1.00	ZAR // SOUTH AFRICAN RAND // [ R ]			755-5409-01-Y				
OFF	1 2 3 4 5 6 7 8	SO. AFRICA 2					1/2.00			2/5.00			(2-Sided)	
ON	1 2 3 4 5 6 7 8	SWEDEN 1	1	5	10		SEK // SWEDISH KRONOR // [ kr ]			755-5404-00-Y				
OFF	1 2 3 4 5 6 7 8	SWEDEN 2					1/10			2/15	3/20	(2-Sided)		
ON	1 2 3 4 5 6 7 8	SWITZERLAND 1	1	2	5		CHF // SWISS FRANCS // [ Sf ]			755-5405-00-Y				
OFF	1 2 3 4 5 6 7 8	SWITZERLAND 2					1/1			2/2	3/3	4/4	6/5	(2-Sided)
ON	1 2 3 4 5 6 7 8	TAIWAN	10			10			TWD // TAIWANESE DOLLAR // [ TWD ]		755-5412-00-Y (use Side 1)			
OFF	1 2 3 4 5 6 7 8	TAIWAN	10			10			TWD // TAIWANESE DOLLAR // [ TWD ]		755-5412-00-Y (use Side 1)			
ON	1 2 3 4 5 6 7 8	UK 1	0.10	0.50	1.00	0.20	2£	GBP // UNITED KINGDOM POUNDS // [ £ ]			755-5407-00-Y			
OFF	1 2 3 4 5 6 7 8	UK 2						3/1.00			7/2.00			755-5407-01-Y*
		UK 3						4/1.00						755-5407-01
		UK 4						1/0.50			2/1.00	3/1.50	5/2.00	755-5407-01*
		UK 5						1/0.30			2/0.60	3/0.90	4/1.00	755-5407-01*
		UK 6						1/1.00			3/2.00			755-5407-01*

**HIGHLIGHTED** = Factory Default

**HIGHLIGHTED** = Not Shown on Coin Card



# EURO SUMMARY & INTERNATIONAL (EURO) STANDARD PRICING SELECT TABLE

CPU/SOUND PCB DIP SWITCH SW1 SETTING		COUNTRY SETTING OPTION(S)	COIN MECHANISMS (SWITCHES) COINS THRU ... SLOT:				PRICING SCHEME Number of Plays (Credits) for Price Amount Shown See "Appendix J" for Coin Cards Examples & Info!			Requires SPI Coin Card(s) Part Number											
Pos.	1	2	3	4	5	6	7	8	LEFT	CENTER	RIGHT	4TH									
ON	S	E	E	B	E	L	O	W	0.50	1.00	2.00	0.20 <i>optional</i>	EUR // EUROPEAN UNION EUROS // [ € ]								
OFF	S	E	T	T	I	N	G	S									1/0.50			755-5401-01-Y	
																	1/0.50	2/1.00	3/1.50	5/2.00	755-5401-02-Y
																	1/0.50		3/1.00		755-5401-03-Y
																	1/0.50	2/1.00	3/1.50	6/2.00	755-5401-04-Y
																	1/0.50	3/1.00	4/1.50	7/2.00	755-5401-05-Y
																	2/0.50				755-5401-06-Y
																	1/1.00	2/2.00	3/3.00	5/4.00	755-5401-07-Y
																	1/1.00		3/2.00		755-5401-08-Y
																	1/1.00	2/1.50	3/2.00		755-5401-09-Y
																	1/1.00		3/2.00	7/3.00	755-5401-10-Y
																	1/1.00		4/2.00		755-5401-11-Y
													2/1.00	4/2.00	6/3.00	9/4.00	755-5401-12-Y				

For a different Euro Pricing Scheme (other than Factory Default listed below), scroll through Standard Adjustment 18: Euro 1-12 or CUSTOM\* for new setting (reference above Euro 1-12 Summary). Keep the Country Dip Switch Setting the same as listed below.

Pos.	1	2	3	4	5	6	7	8	Default Highlighted					EUR // EUROPEAN UNION EUROS // [ € ]						
ON	▲								AUSTRIA Euro 9	0.50	1.00	2.00		1/1.00	2/1.50	3/2.00	755-5401-09-Y			
OFF	▼	▼	▼	▼	▼	▼	▼	▼												
Pos.	1	2	3	4	5	6	7	8	Default Highlighted					1/0.50			755-5401-01-Y			
ON	▲								BELGIUM Euro 1	0.50	1.00	2.00								
OFF	▼	▼	▼	▼	▼	▼	▼	▼												
Pos.	1	2	3	4	5	6	7	8	Default Highlighted					1/1.00	3/2.00		755-5401-08-Y			
ON	▲	▲							FINLAND Euro 8	0.50	1.00	2.00								
OFF	▼	▼	▼	▼	▼	▼	▼	▼												
Pos.	1	2	3	4	5	6	7	8	Default Highlighted					1/1.00	3/2.00	7/3.00	755-5401-10-Y			
ON	▲	▲							FRANCE Euro 10	0.50	1.00	2.00								
OFF	▼	▼	▼	▼	▼	▼	▼	▼												
Pos.	1	2	3	4	5	6	7	8	Default Highlighted					1/0.50			755-5401-01-Y			
ON	▲	▲	▲						GERMANY 1	0.50	1.00	2.00		1/0.50	2/1.00	3/1.50	5/2.00	755-5401-02-Y		
OFF	▼	▼	▼	▼	▼	▼	▼	GERMANY 2	1/0.50					2/1.00	3/1.50	6/2.00				755-5401-04-Y
								GERMANY 3												
Pos.	1	2	3	4	5	6	7	8	Default Highlighted					1/1.00	3/2.00		755-5401-08-Y			
ON	▲	▲	▲						GREECE Euro 8	0.50	1.00	2.00								
OFF	▼	▼	▼	▼	▼	▼	▼	▼												
Pos.	1	2	3	4	5	6	7	8	Default Highlighted					1/0.50			755-5401-01-Y			
ON	▲			▲					ITALY 1	0.50		0.50								
OFF	▼	▼	▼	▼	▼	▼	▼	▼	ITALY 2					1/1.00	3/2.00		755-5401-08-Y			
Pos.	1	2	3	4	5	6	7	8	Default Highlighted					1/0.50	3/1.00		755-5401-03-Y			
ON	▲		▲						NETHERLANDS Euro 3	0.50	1.00	2.00								
OFF	▼	▼	▼	▼	▼	▼	▼	▼												
Pos.	1	2	3	4	5	6	7	8	Default Highlighted					1/0.50			755-5401-01-Y			
ON	▲			▲					PORTUGAL	0.50		0.50								
OFF	▼	▼	▼	▼	▼	▼	▼	▼												
Pos.	1	2	3	4	5	6	7	8	Default Highlighted					1/1.00	3/2.00		755-5401-08-Y			
ON	▲			▲					SPAIN Euro 8	0.50	1.00	2.00								
OFF	▼	▼	▼	▼	▼	▼	▼	▼												

**HIGHLIGHTED** = Factory Default

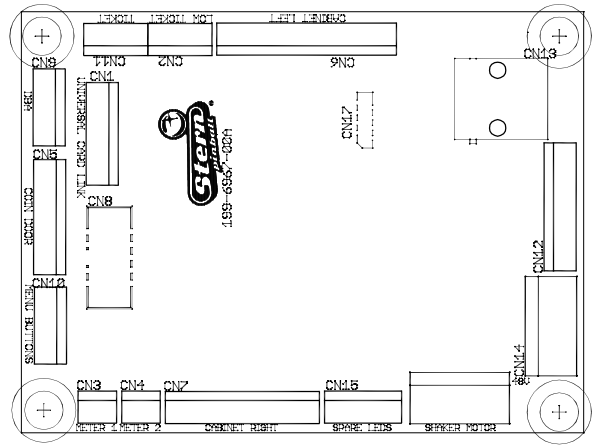
**HIGHLIGHTED** = Not Shown on Coin Card



# 4.2 CABINET NODE 1

520-6967-72

ID	Type	Pin	Description	Wire Color
CN1	.100" 8-Pin Header Universal Card Link	1	12V	-
		2	Coin 1	-
		3	Meter 1	-
		4	N/C	-
		5	Notch	-
		6	Coin Enable	-
		7	Ticket Enable	-
		8	Ground	-
CN2	.100" 5-Pin Header low ticket	1	Ground	-
		2	Ticket Low sw.	-
		3	Key	-
		4	Ticket Low	-
		5	5V Out	-
CN3	.100" 3-Pin Header Meter 1	1	Meter 12V (+)	RED
		2	Meter (-)	BLK
		3	N/C	-
CN4	.100" 3-Pin Header Meter 2	1	Meter 12V (+)	RED
		2	Meter (-)	BLK
		3	N/C	-
CN5	.100" 9-Pin Header	1	5V Out	YEL/WHT
		2	Coin LED Out	YEL
		3	Ground	BLK
		4	Slam Tilt In	LGN/RED
		5	Coin 5	PNK/GRN*
		6	Coin 4	PNK/YEL*
		7	Coin 3	PNK/ORN*
		8	Coin 2	PNK/RED*
		9	Coin 1	PNK/BRN*
CN6	.100" 14-Pin Header Cabinet Left	1	5V LED Power	RED
		2	Start 2 LED	YEL-RED
		3	Start 1 LED	YEL-BRN
		4	Spare LED	-
		5	Ground	BLK-WHT
		6	Spare Left	-
		7	Tilt Input	WHT
		8	Door Open	-
		9	Start 2 Switch	GRY-WHT
		10	Start 1 Switch	GRY
		11	N/C	-
		12	N/C	-
		13	N/C	-
		14	N/C	-
CN7	.100" 12-Pin Header Cabinet Right	1	5V LED Power	RED
		2	Plunge 2 LED	RED-WHT
		3	Plunge 1 LED	GRN-WHT
		4	Spare LED 2	BLU-WHT
		5	Ground	BLK-WHT
		6	Spare Right In	-
		7	Plunge 2 Switch	-
		8	Plunge 1 Switch	-
		9	N/C	-
		10	N/C	-
		11	N/C	-
		12	N/C	-
CN8	.100" 10-Pin Header dual row. Electronic Coin Mech	1	Ground	-
		2	12V	-
		3	Coin 5	-
		4	Coin 6	-
		5	N/C	-
		6	Coin Enable/Inhibit (+)	-
		7	Coin 1	-
		8	Coin 2	-
		9	Coin 3	-
		10	Coin 4	-

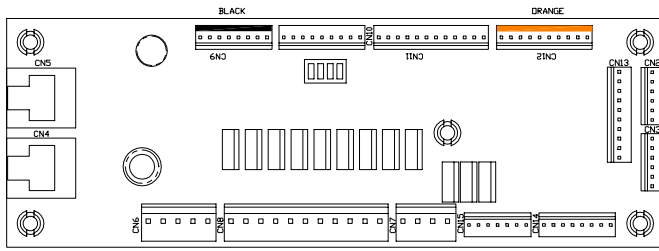


CN9	.100" 6-Pin Header Dollar Bill Acceptor	1	Coin Enable/DBA Inhibit (-)	-	
		2	Coin Enable/DBA Inhibit (+)	-	
		3	Key	Key	
		4	DBA 12V	-	
		5	Coin 6 / DBA Credit	-	
		6	Ground	-	
CN10	.100" 6-Pin Header Service Switch In	1	Service Back (To Coindoor)	LGN-BLK	
		2	Service Down (To Coindoor)	LGN-BLU	
		3	Service Up (To Coindoor)	LGN-VIO	
		4	Service Select (To Coindoor)	LGN-GRY	
		5	Key	Key	
		6	Service Ground (To Coindoor)	BLK	
CN11	.100" 5-Pin Header Ticket Dispenser	1	12V	RED	
		2	N/C	-	
		3	Ticket Dispenser Enable	WHT	
		4	Ground	BLK	
		5	Ticket Dispenser Notch	BLU	
CN12	.100" 10-Pin Header CPU Direct Switches	1	Service Back (To CPU)	LGN-BLK	
		2	Service Down (To CPU)	LGN-BLU	
		3	Service Up (To CPU)	LGN-VIO	
		4	Service Select (To CPU)	LGN-GRY	
		5	Power Present	LGN-ORG	
		6	Service Ground (To CPU)	BLK-WHT	
		7	N/C	-	
		8	N/C	-	
		9	N/C	-	
		10	N/C	-	
CN14	.156" 5-Pin Header Power Input	1	Ground	BLK	
		2	Key	Key	
		3	N/C	-	
		4	N/C	-	
		5	48VDC In	GRY-YEL	
CN15	.100" 6-Pin Header Spare LED's	1	5V LED Power	-	
		2	Key	Key	
		3	Spare LED 3	-	
		4	Spare LED 4	-	
		5	Spare LED 5	-	
		6	Spare LED 6	-	
CN16	.156" 5-Pin Header Shaker Motor	1	Shaker Motor (-)	BLU	
		2	Shaker Motor (-)	-	
		3	Shaker Motor (+)	-	
		4	Key	Key	
		5	Shaker Motor (+)	RED	
				*Varies by country model	



# 4.3 LOWER PLAYFIELD 48V DRIVER PINOUT NODE 8

520-7017-72



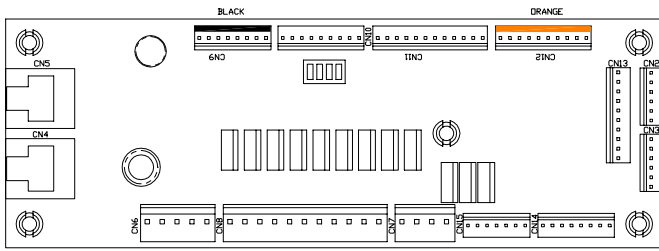
ID	Type	Pin	Description	Wire Color
SW1	Address DIP	-	Node 8 - OFF-OFF-OFF-OFF	-
CN4	RJ45	-	SPIKE Node Bus	Multi
CN5	RJ45	-	SPIKE Node Bus	Multi
CN6	.156" 5-Pin Header Node Power	1	Ground	BLK
		2	Key	Key
		3	N/C	-
		4	N/C	-
		5	48VDC In	GRY
CN7	.156" 4-Pin Header (White)	1	48V Driver Power	GRY-ORG
		2	8-DR-8 Driver Return	YEL-RED
		3	8-DR-6 Driver Return	YEL-BLK
		4	8-DR-7 Driver Return	YEL-BRN
CN8	.156" 11-Pin Header (White)	1	48V Driver Power	GRY-ORG
		2	48V Driver Power	GRY-ORG
		3	48V Driver Power	GRY-ORG
		4	48V Driver Power	GRY-ORG
		5	8-DR-0 Driver Return	ORG-GRN
		6	8-DR-5 Driver Return	ORG-YEL
		7	8-DR-1 Driver Return	ORG-GRY
		8	8-DR-8 Driver Return	-
		9	8-DR-4 Driver Return	ORG-WHT
		10	8-DR-2 Driver Return	ORG-VIO
		11	8-DR-3 Driver Return	ORG-BLU
CN9	.100" 8-Pin Header	1	V+	-
		2	V+	-
		3	8-SW-24 Switch	GRY-RED
		4	8-SW-25 Switch	GRY-BRN
		5	8-SW-26 Switch	VIO-WHT
		6	8-SW-27 Switch	-
		7	Ground	BLK-GRN
		8	Ground	BLK-VIO
CN10	.100" 9-Pin Header	1	V+	-
		2	8-SW-28 Switch	GRY-WHT
		3	8-SW-29 Switch	GRY-VIO
		4	8-SW-30 Switch	GRY-BLU
		5	8-SW-31 Switch	GRY-GRN
		6	8-SW-16 Switch	GRY-YEL
		7	Ground	BLK-GRN
		8	Ground	BLK-GRN
		9	Ground	BLK-GRN

CN11	.100" 12-Pin Header	1	V+	-
		2	8-SW-26 Switch	-
		3	8-SW-27 Switch	-
		4	8-SW-17 Switch	LGN-RED
		5	8-SW-18 Switch	LGN-ORG
		6	8-SW-19 Switch	LGN-YEL
		7	8-SW-20 Switch	LGN-BLU
		8	8-SW-21 Switch	LGN-VIO
		9	8-SW-22 Switch	-
		10	8-SW-23 Switch	LGN-WHT
		11	Ground	BLK-ORG
		12	Ground	BLK-ORG
CN12	.100" 10-Pin Header (Orange)	1	V+	RED
		2	8-SW-8 Switch	WHT-BRN
		3	8-SW-9 Switch	WHT-RED
		4	8-SW-10 Switch	WHT-ORG
		5	8-SW-11 Switch	WHT-YEL
		6	8-SW-12 Switch	WHT-GRN
		7	8-SW-13 Switch	WHT-BLU
		8	8-SW-14 Switch	-
		9	8-SW-15 Switch	PNK-BRN
		10	Ground	BLK-RED
CN13	.100" 10-Pin Header	1	V+	-
		2	8-SW-0 Switch	-
		3	8-SW-1 Switch	-
		4	8-SW-2 Switch	-
		5	8-SW-3 Switch	-
		6	8-SW-4 Switch	-
		7	8-SW-5 Switch	-
		8	8-SW-6 Switch	-
		9	8-SW-7 Switch	-
		10	Ground	-
CN14	.100" 8-Pin Header	1	Ground	-
		2	8-LP-7 Driver Return	BLU-BRN
		3	8-LP-6 Driver Return	GRN-BRN
		4	8-LP-5 Driver Return	RED-BRN
		5	8-LP-4 Driver Return	BRN-YEL
		6	8-LP-3 Driver Return	BRN-ORG
		7	LED V+	YEL
		8	LED V+	YEL
CN15	.100" 7-Pin Header	1	LED V+	YEL-RED
		2	LED V+	YEL BLK
		3	LED V+	YEL
		4	-	-
		5	8-LP-0 GI Return	RED-BLK
		6	8-LP-1 GI Return	WHT-BLK
		7	8-LP-2 GI Return	ORG-BLK
CN2	.100" 6-Pin Header, Node Extension Bus	1	Ground	BLK
		2	DIN	VIO-BLK
		3	DOUT	VIO-BRN
		4	SCK	VIO-RED
		5	RCK	VIO-ORG
		6	V+	RED
CN3	.100" 6-Pin Header, Node Extension Bus	1	Ground	BLK
		2	DIN	VIO-BLK
		3	DOUT	VIO-BRN
		4	SCK	VIO-RED
		5	RCK	VIO-ORG
		6	V+	RED



# 4.4 MID UPPER PLAYFIELD 48V DRIVER PINOUT NODE 9

520-7017-72

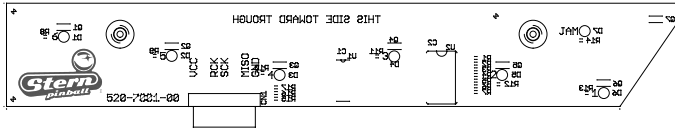


ID	Type	Pin	Description	Wire Color
SW1	Address DIP	-	Node 9 - OFF-OFF-ON-OFF	-
CN4	RJ45	-	SPIKE Node Bus	Multi
CN5	RJ45	-	SPIKE Node Bus	Multi
CN6	.156" 5-Pin Header Node Power	1	Ground	BLK
		2	Key	Key
		3	N/C	-
		4	N/C	-
		5	48VDC In	GRY
CN7	.156" 4-Pin Header (White)	1	48V Driver Power	GRY-BRN
		2	9-DR-8 Driver Return	YEL-GRN
		3	9-DR-6 Driver Return	YEL-ORG
		4	9-DR-7 Driver Return	BRN-BLK
CN8	.156 11-Pin Header (White)	1	48V Driver Power	GRY-BRN
		2	48V Driver Power	GRY-BRN
		3	48V Driver Power	GRY-BRN
		4	48V Driver Power	GRY-BRN
		5	9-DR-0 Driver Return	YEL-BLU
		6	9-DR-5 Driver Return	YEL-GRY
		7	9-DR-1 Driver Return	YEL-VIO
		8	9-DR-8 Driver Return	-
		9	9-DR-4 Driver Return	ORG-RED
		10	9-DR-2 Driver Return	ORG-BLK
		11	9-DR-3 Driver Return	ORG-BRN
CN9	.100" 8-Pin Header	1	V+	RED
		2	V+	-
		3	9-SW-24 Switch	TAN-BLK
		4	9-SW-25 Switch	-
		5	9-SW-26 Switch	-
		6	9-SW-27 Switch	-
		7	Ground	BLK-BLU
		8	Ground	-
CN10	.100" 9-Pin Header	1	V+	-
		2	9-SW-28 Switch	GRY-BLK
		3	9-SW-29 Switch	GRY-BRN
		4	9-SW-30 Switch	GRY-RED
		5	9-SW-31 Switch	GRY-ORG
		6	9-SW-16 Switch	-
		7	Ground	BLK-BLU
		8	Ground	BLK-BLU
		9	Ground	BLK-BLU

CN11	.100" 12-Pin Header	1	V+	RED
		2	9-SW-26 Switch	-
		3	9-SW-27 Switch	LGN
		4	9-SW-17 Switch	TAN-YEL
		5	9-SW-18 Switch	TAN-GRN
		6	9-SW-19 Switch	TAN-BLU
		7	9-SW-20 Switch	TAN-VIO
		8	9-SW-21 Switch	-
		9	9-SW-22 Switch	TAN
		10	9-SW-23 Switch	LGN-GRY
		11	Ground	BLK-GRY
		12	Ground	BLK-GRY
CN12	.100" 10-Pin Header (Orange)	1	V+	RED
		2	9-SW-8 Switch	PNK-RED
		3	9-SW-9 Switch	PNK-ORG
		4	9-SW-10 Switch	PNK-YEL
		5	9-SW-11 Switch	PNK-GRN
		6	9-SW-12 Switch	PNK-BLU
		7	9-SW-13 Switch	-
		8	9-SW-14 Switch	PNK-GRY
		9	9-SW-15 Switch	-
		10	Ground	BLK-WHT
CN13	.100" 10-Pin Header	1	V+	RED
		2	9-SW-0 Switch	LGN-BLK
		3	9-SW-1 Switch	LGN-BRN
		4	9-SW-2 Switch	LGN-RED
		5	9-SW-3 Switch	LGN-ORG
		6	9-SW-4 Switch	LGN-YEL
		7	9-SW-5 Switch	LGN-BLU
		8	9-SW-6 Switch	LGN-VIO
		9	9-SW-7 Switch	-
		10	Ground	BLK-BRN
CN14	.100" 8-Pin Header	1	Ground	BLK
		2	9-LP-7 Driver Return	BLU-ORG
		3	9-LP-6 Driver Return	GRN-ORG
		4	9-LP-5 Driver Return	RED-ORG
		5	9-LP-4 Driver Return	BRN-BLU
		6	9-LP-3 Driver Return	BRN-GRN
		7	LED V+	YEL
		8	LED V+	YEL
CN15	.100" 7-Pin Header	1	LED V+	YEL-RED
		2	LED V+	YEL-BLK
		3	LED V+	YEL-BLU
		4	-	-
		5	9-LP-0 GI Return	RED-BLK
		6	9-LP-1 GI Return	WHT-BLK
		7	9-LP-2 GI Return	BLU-BLK
CN2	.100" 6-Pin Header, Node Extension Bus	1	Ground	-
		2	DIN	-
		3	DOUT	-
		4	SCK	-
		5	RCK	-
		6	V+	-
CN3	.100" 6-Pin Header, Node Extension Bus	1	Ground	BLK
		2	DIN	VIO-BLK
		3	DOUT	VIO-BRN
		4	SCK	VIO-RED
		5	RCK	VIO-ORG
		6	V+	RED

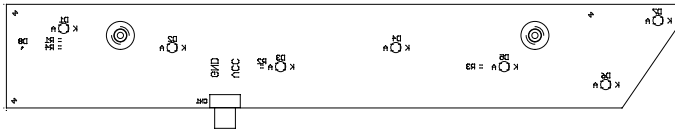


### 4.5 TROUGH SERIAL OPTO RECEIVER EXTENSION 8A 520-7001-00



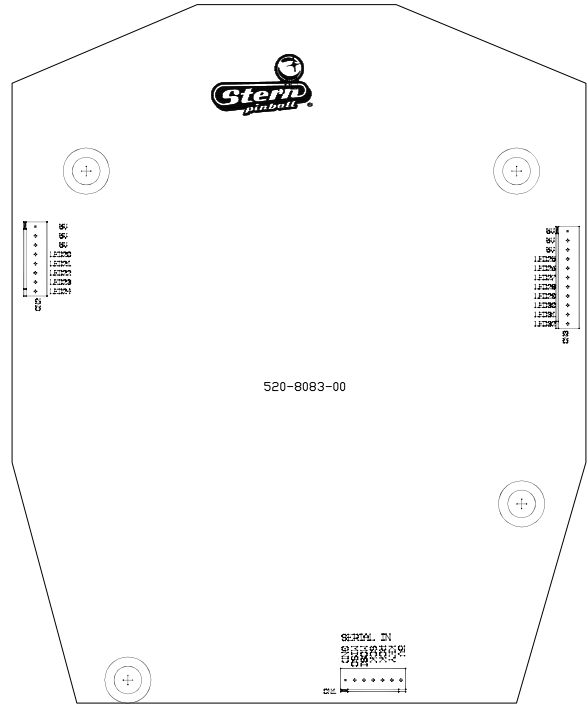
ID	Type	Pin	Description	Wire Color
CN1	.100" 7-Pin Header	1	Ground	BLK
		2	MISO Output Data	VIO-BLK
		3	MOSI Input Data	-
		4	SCK Serial Clock	VIO-RED
		5	RCK Register Clock	VIO-ORG
		6	N/C	-
		7	+5 VDC IN	RED

### 4.6 TROUGH SERIAL OPTO TRANSMITTER 520-5344-00



ID	Type	Pin	Description	Wire Color
CN1	.100" 3-Pin Header	1	Ground	BLK
		2	N/C	-
		3	+5 VDC IN	RED

### 4.7 LOWER MID LED BOARD 8B 520-8083-00

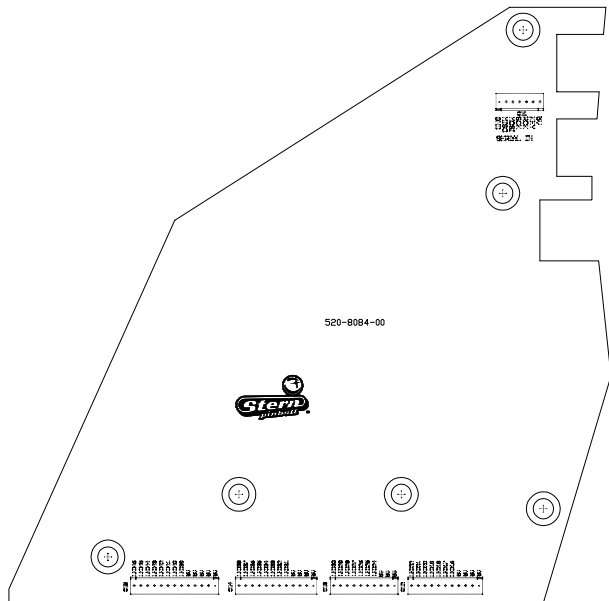


ID	Type	Pin	Description	Wire Color
CN1	.100" 7-Pin Header	1	Ground	BLK
		2	MISO Output Data	VIO-BLK
		3	MOSI Input Data	VIO-BRN
		4	SCK Serial Clock	VIO-RED
		5	RCK Register Clock	VIO-ORG
		6	n/c	-
		7	+5 VDC IN	RED
CN2	.100" 8-Pin Header	1	+5 VDC	RED
		2	+5 VDC	-
		3	+5 VDC	-
		4	LP-20 Light Return	ORG-BRN
		5	LP-21 Light Return	ORG-RED
		6	LP-22 Light Return	ORG
		7	LP-23 Light Return	ORG-YEL
		8	LP-24 Light Return	ORG-GRN
CN3	.100" 11-Pin Header	1	+5 VDC	RED
		2	+5 VDC	RED
		3	+5 VDC	-
		4	LP-25 Light Return	BRN-BLU
		5	LP-26 Light Return	BRN-VIO
		6	LP-27 Light Return	BRN-GRY
		7	LP-28 Light Return	BRN-WHT
		8	LP-29 Light Return	YEL-BRN
		9	LP-30 Light Return	YEL-ORG
		10	LP-31 Light Return	YEL-GRY
		11	LP-32 Light Return	-



# 4.8 UPPER MID LED BOARD 9A

520-8084-00



ID	Type	Pin	Description	Wire Color
CN1	.100" 7-Pin Header	1	Ground	BLK
		2	MISO Output Data	VIO-BLK
		3	MOSI Input Data	VIO-BRN
		4	SCK Serial Clock	VIO-RED
		5	RCK Register Clock	VIO-ORG
		6	n/c	-
		7	+5 VDC IN	RED
CN2	.100" 11 -Pin Header	1	+5 VDC	RED
		2	+5 VDC	RED
		3	+5 VDC	RED-BRN
		4	+5 VDC	-
		5	LP-16 Light Return	YEL-GRN
		6	LP-17 Light Return	YEL-BLU
		7	LP-18 Light Return	YEL-VIO
		8	LP-19 Light Return	BRN-BLK
		9	LP-20 Light Return	BRN
		10	LP-21 Light Return	BRN-RED
		11	LP-22 Light Return	ORG-BLU
CN3	.100" 10-Pin Header	1	+5 VDC	RED
		2	+5 VDC	RED
		3	+5 VDC	-
		4	LP-24 Light Return	RED-YEL
		5	LP-25 Light Return	GRN-YEL
		6	LP-26 Light Return	BLU-YEL
		7	LP-27 Light Return	BRN-ORG
		8	LP-28 Light Return	BRN-YEL
		9	LP-29 Light Return	ORG-VIO
		10	LP-30 Light Return	ORG-BLK

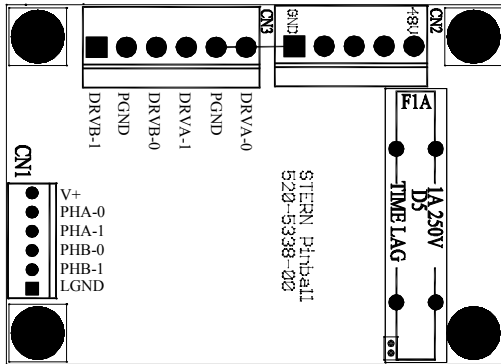
CN4	.100" 12 -Pin Header	1	+5 VDC	RED
		2	+5 VDC	RED
		3	+5 VDC	RED
		4	+5 VDC	-
		5	LP-31 Light Return	RED-GRN
		6	LP-32 Light Return	GRN
		7	LP-33 Light Return	BLU-GRN
		8	LP-34 Light Return	RED-BLU
		9	LP-35 Light Return	GRN-BLU
		10	LP-36 Light Return	BLU
		11	LP-37 Light Return	ORG-GRY
		12	LP-38 Light Return	ORG-WHT
CN5	.100" 13 -Pin Header	1	+5 VDC	RED
		2	+5 VDC	RED
		3	+5 VDC	-
		4	+5 VDC	-
		5	+5 VDC	-
		6	LP-39 Light Return	RED-VIO
		7	LP-40 Light Return	GRN-VIO
		8	LP-41 Light Return	BLU-VIO
		9	LP-42 Light Return	BRN-GRN
		10	LP-43 Light Return	BRN-BLU
		11	LP-44 Light Return	RED-GRY
		12	LP-45 Light Return	GRN-GRY
		13	LP-46 Light Return	BLU-GRY





### 4.9 DUAL MOTOR DRIVER

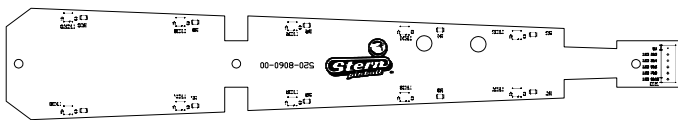
520-5338-00



ID	Type	Pin	Description	Wire Color
CN1	.100" 6-Pin Connector	1	Ground	BLK
		2	PHB1	-
		3	PHB0	-
		4	PHA1	BRN-BLU
		5	PHA0	BRN-GRN
		6	V+	YEL
CN2	.156 5-Pin Connector	1	GND	BLK
		2	KEY	Key
		3	N/C	-
		4	N/C	-
		5	+48 VDC IN	GRY
CN3	.156 6-Pin connector	1	DRIVEB-1	-
		2	Ground	-
		3	DRIVEB-0	-
		4	DRIVEA-1	BRN
		5	Ground	-
		6	DRIVEA-0	GRY

### 4.10 FLAIL FLASH LED BOARD

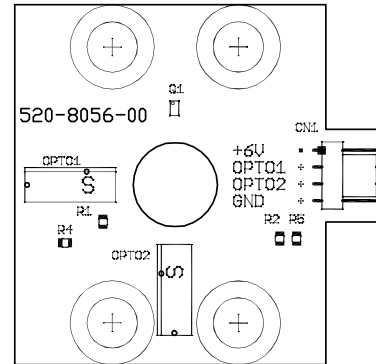
520-8060-00



ID	Type	Pin	Description	Wire Color
CN1	.100" 6-Pin Header	1	+5 VDC	RED
		2	LED 1/2	ORG-GRN
		3	LED 3/4	ORG-YEL
		4	LED 5/6	ORG
		5	LED 7/8	ORG-RED
		6	LED 9/10	ORG-BRN

### 4.11 OPTO SLOT TWIN

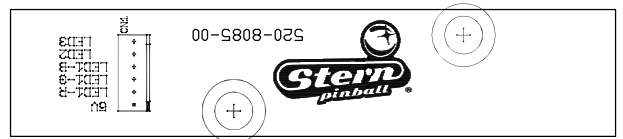
520-8056-00



ID	Type	Pin	Description	Wire Color
CN1	.100" 4-Pin Header	1	+6 VDC IN	RED
		2	Opto 1	PNK-GRN
		3	Opto 2	PNK-BLU
		4	Ground	BLK-WHT

### 4.12 UPPER LEFT LED BOARD

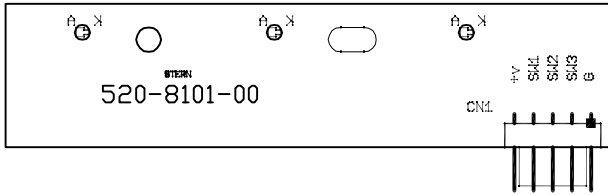
520-8085-00



ID	Type	Pin	Description	Wire Color
CN1	.100" 6-Pin Header	1	+5 VDC	RED
		2	LED 1-R	RED-YEL
		3	LED 1-G	GRN-YEL
		4	LED 1-B	BLU-YEL
		5	LED 2	BRN-ORG
		6	LED 3	BRN-YEL

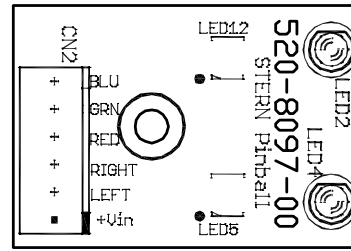


### 4.13 OPTO 3-BALL LOCK RECEIVER 520-8101-00



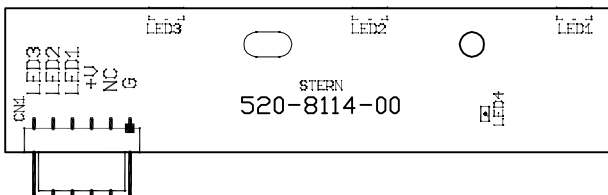
ID	Type	Pin	Description	Wire Color
CN1	.100" 5-Pin Header	1	Ground	BLK-BRN
		2	Sw 3	LGN-ORG
		3	Sw 2	LGN-YEL
		4	Sw 1	LGN-BLU
		5	+5 VDC IN	RED

### 4.15 KNIGHT HELMET LED BOARD 520-8097-00



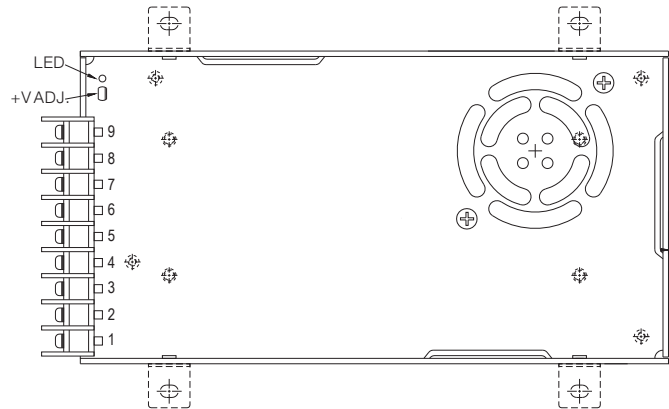
ID	Type	Pin	Description	Wire Color
CN1	.100" 6-Pin Header	1	+5 VDC	RED
		2	LED 4	BRN-GRN
		3	LED 2	BRN-BLU
		4	LED 12/5-R	RED-GRY
		5	LED 12/5-G	GRN-GRY
		6	LED 12/5-B	BLU-GRY

### 4.14 OPTO 3-BALL LOCK EMITTER 520-8114-00



ID	Type	Pin	Description	Wire Color
CN1	.100" 6-Pin Header	1	Ground	BLK-BRN
		2	+5 VDC LED IN	RED-BRN
		3	+5 VDC EM IN	RED
		4	LED 1	ORG-BLU
		5	LED 2	ORG-BLK
		6	LED 3	ORG-WHT

### 4.16 MAIN POWER SUPPLY 011-5003-00

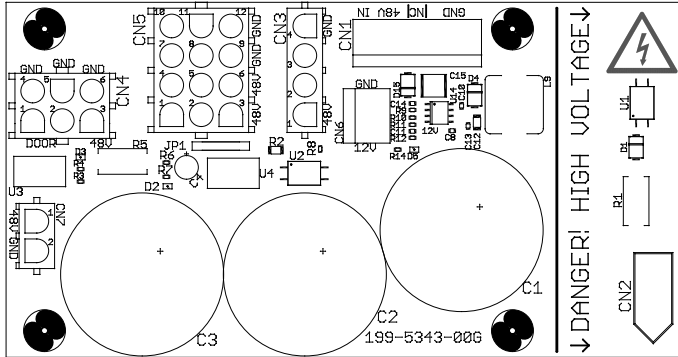


ID	Type	Pin	Description	Wire Color
CN1	Screw Terminal	1	AC Line Hot In	BLK
		2	AC Line Neutral In	WHT
		3	Earth Ground In	GRN
		4	DC Ground	BLK
		5	DC Ground	BLK
		6	DC Ground	BLK
		7	+48 V System Power	GRY
		8	+48 V System Power	GRY
		9	+48 V System Power	GRY



## 4.17 POWER DISTRIBUTION BOARD

520-5343-01



ID	Type	Pin	Description	Wire Color
CN1	.156 in 7-Pin Housing Plug: 045-5259-07 Pin: 055-5331-00 Key: 060-5013-00	1	+48 VDC IN	GRY
		2	+48 VDC IN	GRY
		3	+48 VDC IN	GRY
		4	Key (n/c)	-
		5	Ground	BLK
		6	Ground	BLK
		7	Ground	BLK
CN2	.093 in 3-Pos Plug Plug: 045-5003-03 Pin: 055-5013-09	1	Line In (100-240 VAC)	BLK
		2	Neutral	WHT
		3	Earth Ground	GRN
CN3	0.084 in 4-Pos Plug Plug: 045-5200-04 Pin: 055-5033-08	1	+48 VDC to CPU Node	GRY
		2	Door Interlock Switch Status	GRY/RED
		3	Line Voltage Status	VIO
		4	Ground	BLK
CN4	0.084 in 6-Pos Plug Plug: 045-5200-06 Pin: 055-5033-08	1	Door Interlock Switch +48V	-
		2	Door Interlock Switch +48V	-
		3	Switched 48V Out (to Node 1)	GRY/YEL
		4	Door Interlock Return Ground	-
		5	Door Interlock Return Ground	-
		6	Ground (to Node 1)	BLK
CN5	0.084 in 12-Pos Plug Plug: 045-5200-12 Pin: 055-5033-08	1	Switched 48V Node Power	GRY
		2	Switched 48V Node Power	GRY
		3	Switched 48V Node Power	GRY
		4	Switched 48V Node Power	GRY
		5	Switched 48V Node Power	GRY
		6	Switched 48V Node Power	GRY
		7	Node Ground	BLK
		8	Node Ground	BLK
		9	Node Ground	BLK
		10	Node Ground	BLK
		11	Node Ground	BLK
		12	Node Ground	BLK
CN6	.156 in 3-Pos Plug: 045-5259-03 Pin: 055-5331-00 (18awg)	1	Ground	-
		2	Ground	-
		3	+12VDC	-
CN7	.084 2-Pos Plug: 045-5200-02 Pin: 055-5033-08	1	+48 VDC to CPU Node	-
		2	Ground	-

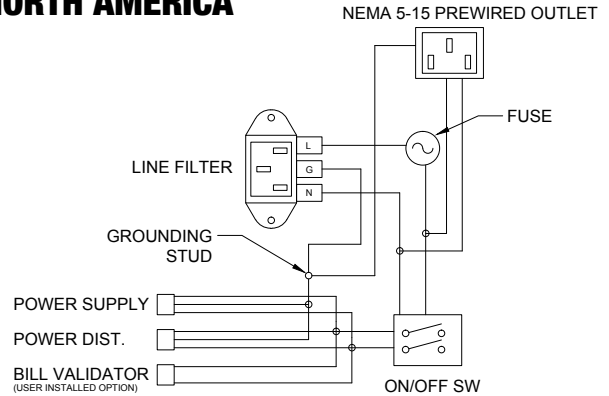
## 4.18 POWER PLUG WIRING

**CAUTION**

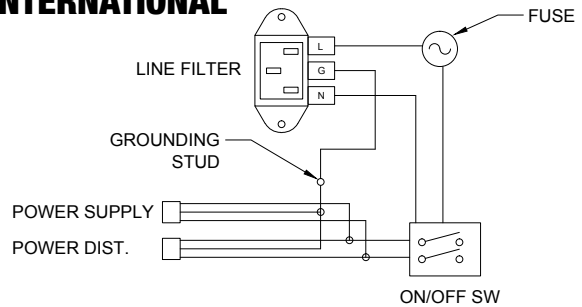
**TO MAINTAIN SAFETY, GROUND WIRE FROM LINE FILTER IS TO BE MOUNTED FIRST ON GROUNDING STUD AND SECURED WITH NUT. ALL OTHER GROUNDS MAY THEN BE ATTACHED TO GROUNDING STUD.**

**REPLACE ALL FUSES WITH CORRECT CURRENT RATINGS!**

### NORTH AMERICA



### INTERNATIONAL



### LINE CORDS

Part Number	Description
034-6012-00	Line Cord, 3m, 5-15P USA
034-6012-01	Line Cord, 3m, CEE77P EUROPE
034-6012-02	Line Cord, 3m, BS1363P United Kingdom
034-6012-03	Line Cord, 3m, AS-NZS4417P Australia
034-6012-04	Line Cord, 3m, CEI23-16P Italy
034-6012-05	Line Cord, 3m, SEV1011P Switzerland
034-6012-06	Line Cord, 3m, JIS8303P Japan
034-6012-07	Line Cord, 3m, SI32P Israel
034-6012-08	Line Cord, 3m, BS546P S Africa, India
034-6012-09	Line Cord, 3m, IS6538P S. India

### LINE FUSES

Line Voltage (Region)	Fuse Current	Type	Part Number
120V (North America)	8 A	Slow Blow MDL	200-5000-05
220/240v (Europe, Australia, UK)	5 A	Slow Blow MDL	200-5000-01



# 5. PARTS REFERENCE

## 5.1 PLAYFIELD RUBBER PARTS

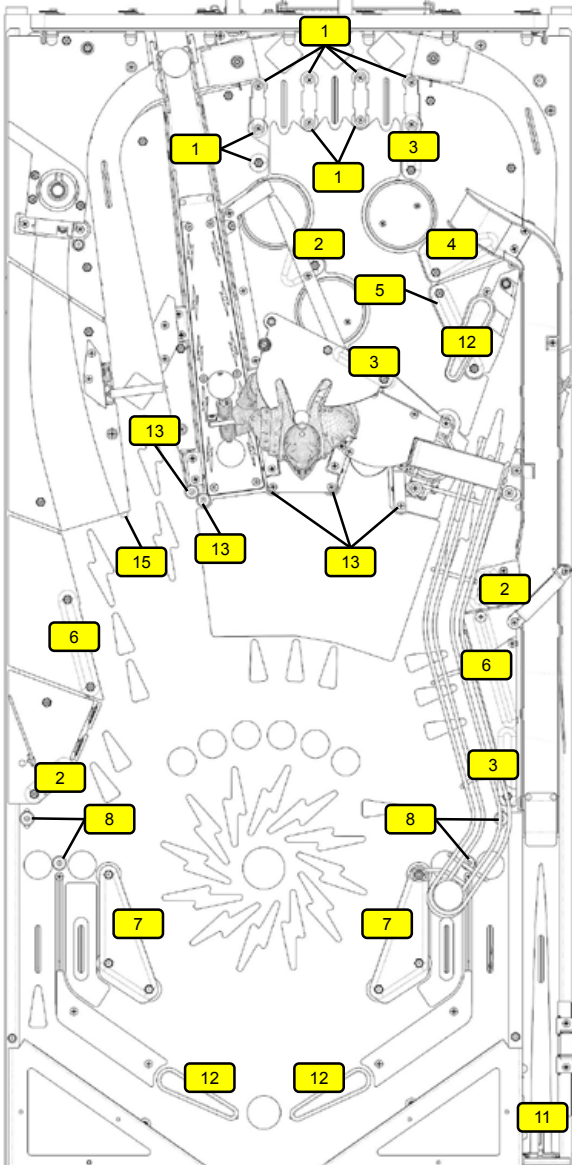
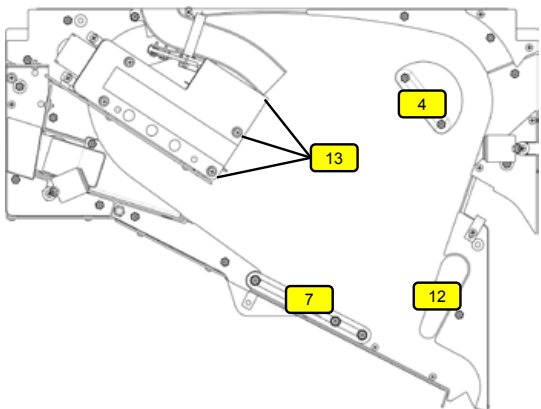


Figure 5.1.1. Rubber o-ring part locations



### RUBBER O-RINGS

ID	Qty	Size (ID)	Size (OD)	Durometer	Color	Part Number
1	10	3/16"		50	Black	545-5348-01
2	3	3/4"		50	Black	545-5348-04
3	3	1"		50	Black	545-5348-05
4	2	1-1/4"		50	Black	545-5348-06
5	1	1-1/2"		50	Black	545-5348-07
6	2	1-3/4"		50	Black	545-5348-21
7	3	2-1/2"		50	Black	545-5348-09
8	4		7/16"	50	Black	545-5348-17

Figure 5.1.2. Rubber o-ring part numbers and usage. ID: Inner Diameter, OD: Outer Diameter, Durometer: Higher number is firmer, less bounce, and more durable.

ID	Qty	Description	Color	Part Number
11	1	Plunger Tip	Black	545-5276-00
12	3	Flipper Rubber	Black	545-5277-00
13	8	Mini Post Ring	Black	545-9820-00
14	3	Bumper Pad (Sub-assemblies)	Black	545-5105-00
15	1	Bumper Pad (Sub-assemblies)	Blue	626-5057-01
16	3	Bumper Pad (Flippers)	Black	545-5428-00

Figure 5.1.3. Other rubber part numbers and usage

### 5.2 RUBBER SIZE CHART

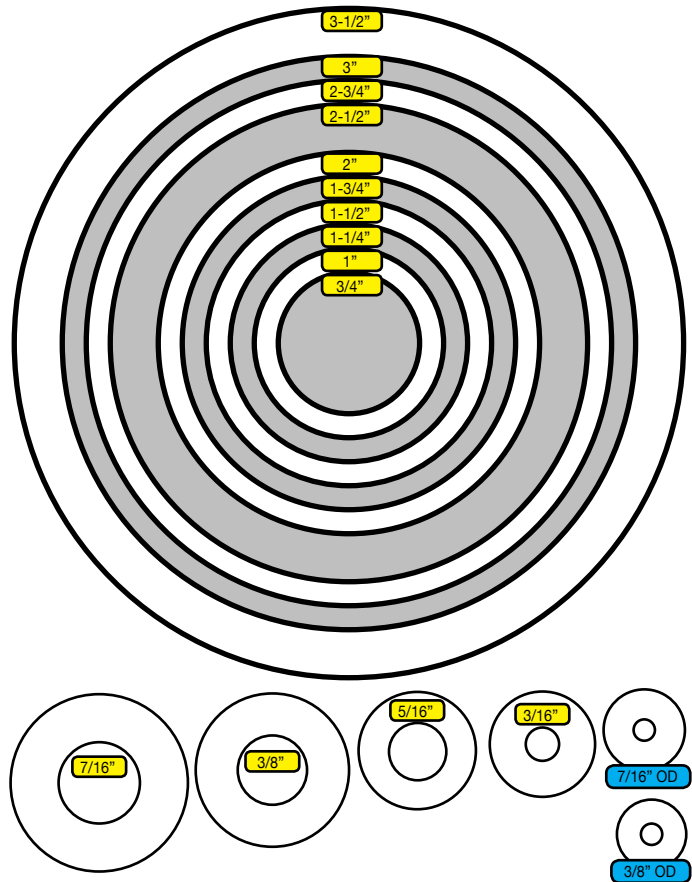
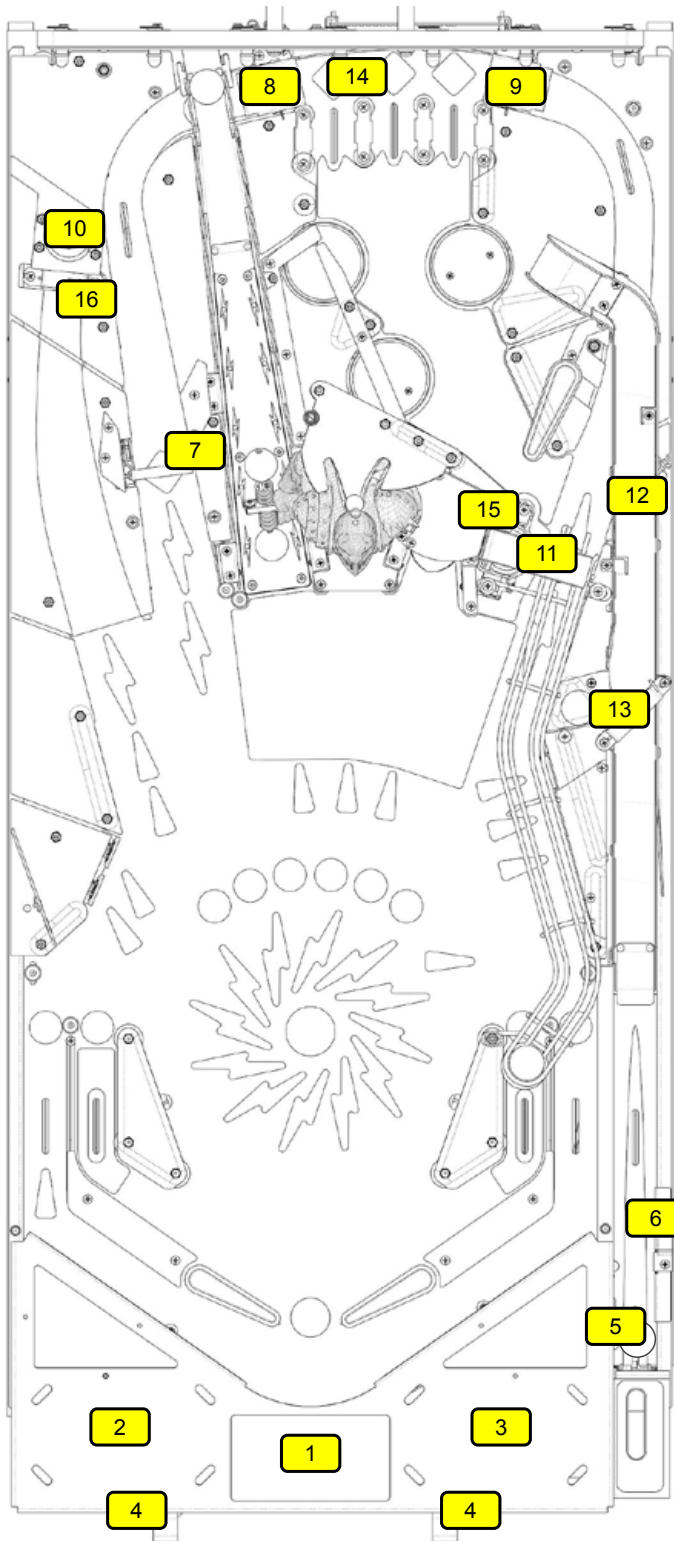


Figure 5.2.1. Rubber ring inner diameter sizing tool. Hold ring up to chart and read largest size on inside of ring. Dimensions are Inner Diameter (ID) unless otherwise noted as Outer Diameter (OD).

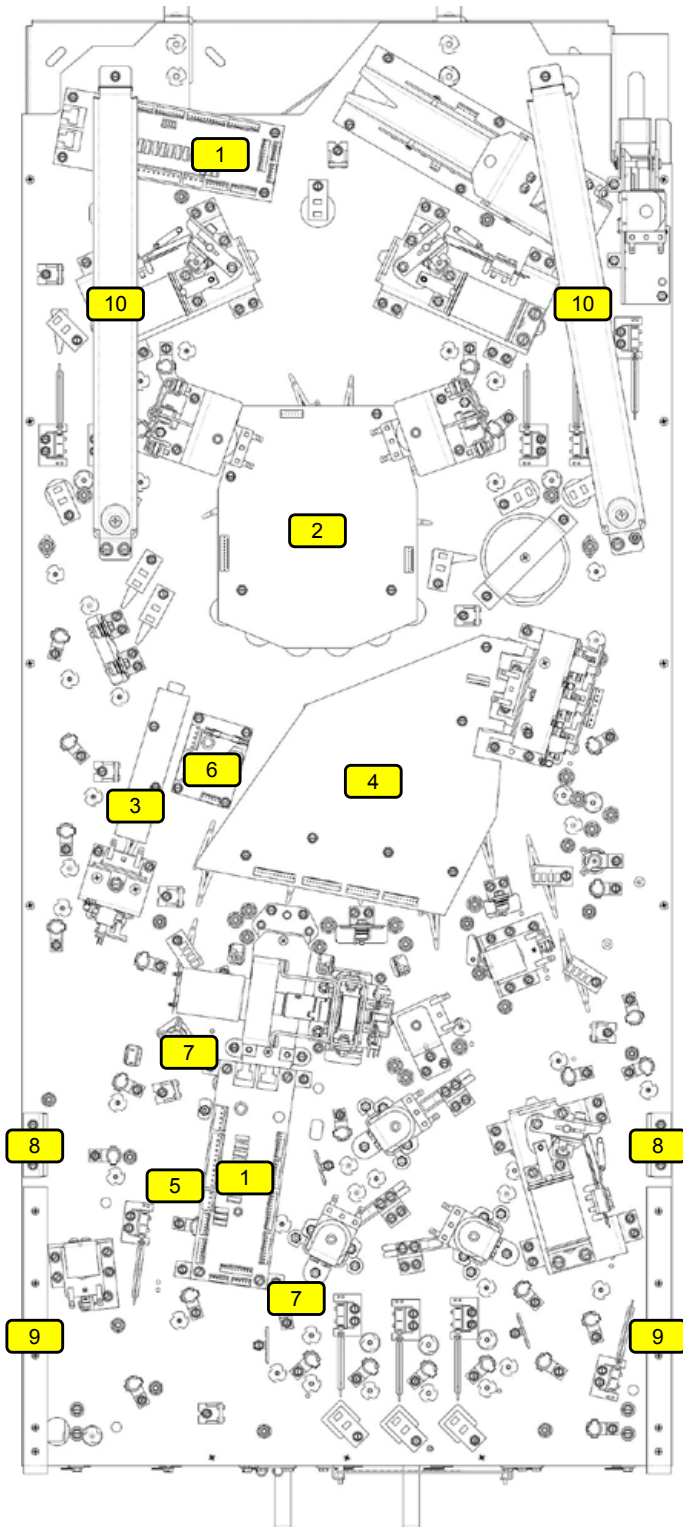
### 5.3 PLAYFIELD ASSEMBLIES, TOP



ID	Part Number	Description	Qty
1	500-1117-N1	Bottom Arch Assembly	1
2	755-51N1-12-Y	Instruction Card	1
3	755-5400-02-Y	Coin Card (USA)	1
4	535-8385-00	Welded Hanger Bracket	2
5	260-5000-00	Pinballs	6
6	500-6815-00	Bubble Level Assembly	1
7	535-1591-00	Spinner Bracket	1
	515-7088-00	Spinner Target	1
8	511-1966-02	Left Electric Gate	1
9	511-1966-01	Right Electric Gate	1
10	535-2036-07	Left Scoop Ball Guide	1
11	535-2027-02	Right Scoop Ball Guide	1
12	515-1962-00	Shooter-Lane Ramp	1
13	535-1896-00	Wire Gate Bracket	1
	535-1826-00	Wire Gate Wireform	1
14	500-9936-02	Wire Gate, Top	1
15	511-1996-00	One Way Gate, Shield	1
16	511-1995-00	One Way Gate, VUK	1

Figure 5.3.1. Major playfield assemblies, Top locations.

## 5.4 PLAYFIELD ASSEMBLIES, BOTTOM



ID	Part Number	Description	Qty
1	520-7017-72	Core Node Driver Board	2
2	520-8083-00	LED Board - 8b	1
3	520-8085-00	LED Board - Left	1
4	520-8084-00	LED Board - 9a	1
5	520-8060-00	Flail Flash LED Board	1
6	520-5338-00	Dual Motor Driver	1
7	535-2033-00	Node Bracket	2
8	500-5329-03	Bracket Pivot Pin	2
9	535-5988-01	Edge Slide Bracket	2
10	535-6862-05	Rail	2

Figure 5.4.1. Major playfield assemblies, Bottom locations.

## 5.5 BACKBOX PARTS

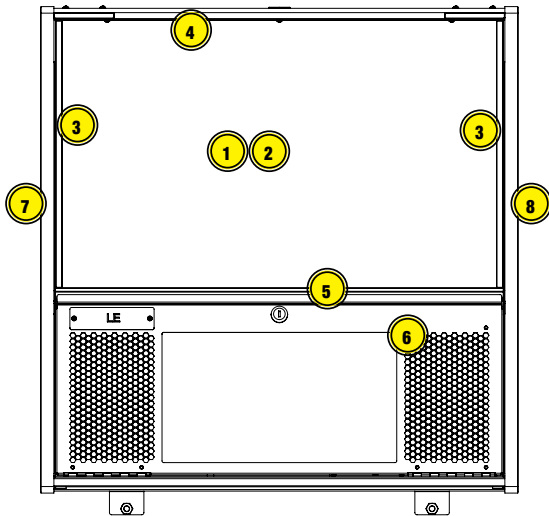


Figure 5.5.1. Backbox external assemblies and components

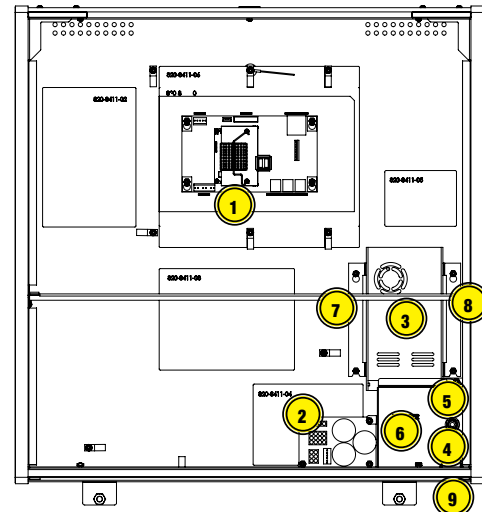


Figure 5.5.2. Backbox internal assemblies and components

### EXTERNAL

ID	Part Number	Description	Qty
1	660-5052-00	Backglass	1
2	830-8426-N2	Mirror Backglass [LE]	1
	830-8427-N3	Translite Art [Premium]	1
3	545-5018-17	Plastic Extrusion 15-.450"	2
4	545-5018-15	Glass Channel 26"	1
5	545-6313-01	Glass Lift Channel 26"	1
6	500-9996-I2	LCD Speaker Panel Assembly	1
7	820-76N2-01	Left Backbox Decal [LE]	1
	820-76N3-01	Left Backbox Decal [Premium]	1
8	820-76N2-02	Right Backbox Decal [LE]	1
	820-76N3-02	Right Backbox Decal [Premium]	1

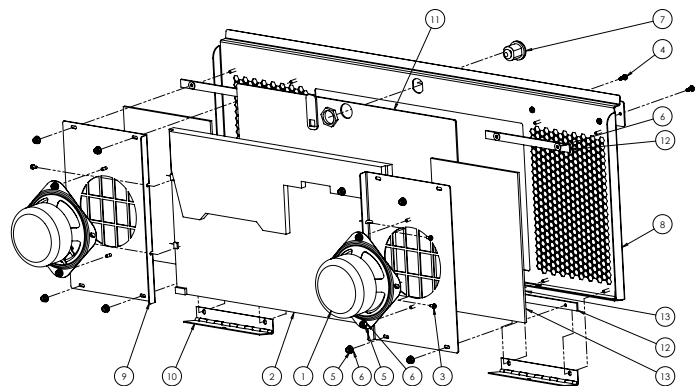
### INTERNAL

ID	Part Number	Description	Qty
1	509-1003-01	CPU Node Board	1
2	520-5343-01	Power Distribution Board	1
3	011-5003-00	Power Supply 48V/500W	1
4	515-9769-00	Utility Outlet (USA)	1
5	205-5001-00	Fuse Holder-Screw in	1
	200-5000-05	8A Fuse	1
6	535-1130-00	Cover AC	1
7	535-1129-00	Power supply bracket	1
8	535-1129-01	Power supply bracket	1
9	180-5001-03	Power Switch	1

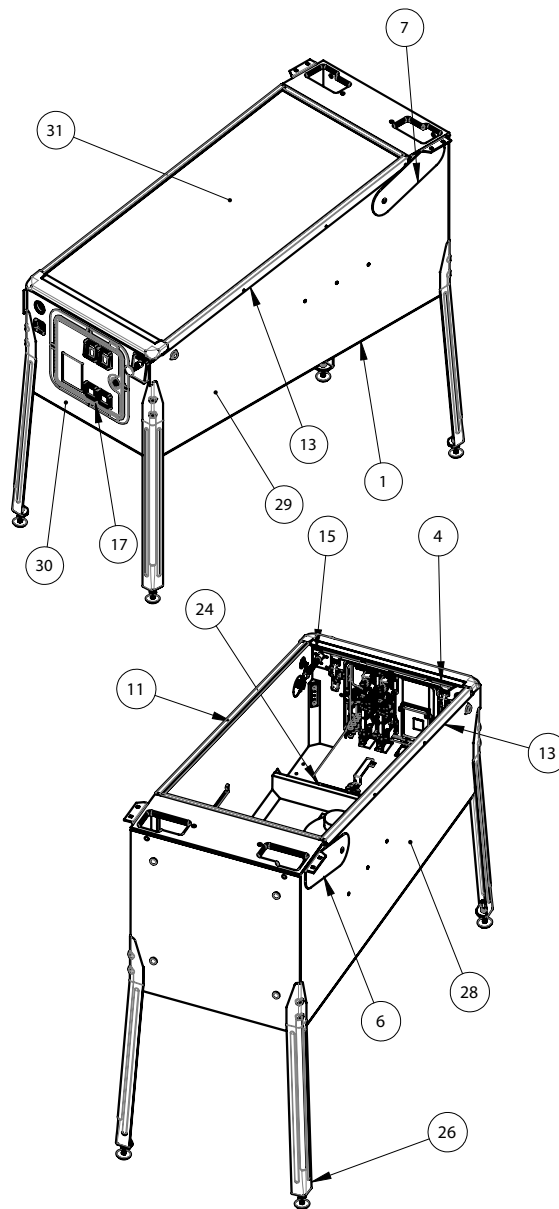
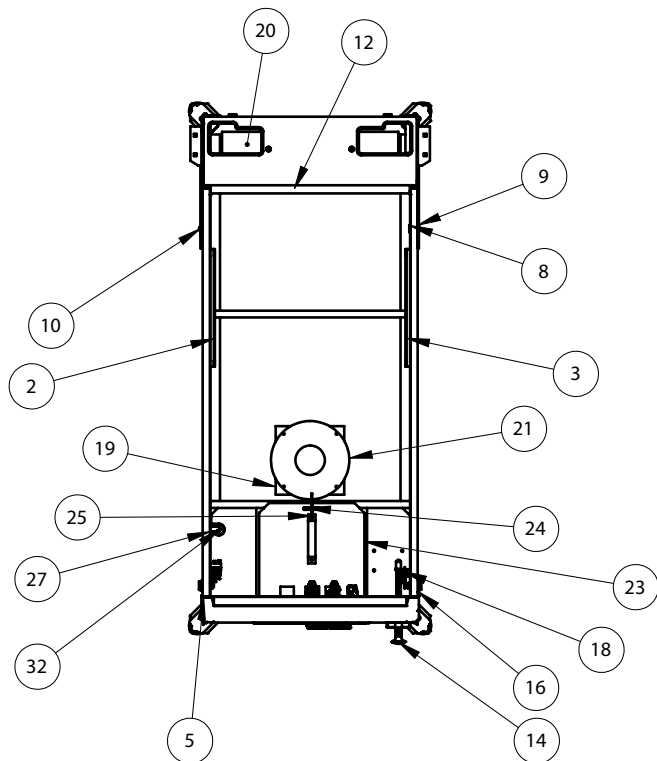
## 5.6 SPEAKER PANEL PARTS

### 500-9996-00 / 500-2442-N2

ID	Part Number	Description	Qty
1	031-5004-02	Speaker [Premium]	2
	031-5017-00	Speaker Upgrade 35w 4ohm 5-1/4" Dia. [LE]	2
2	116-0023-00	1366 x 768 Display LCD Panel	1
3	237-6188-01	Screw, M3x0.5 X 6MM PPH Sems Zinc	4
4	237-6307-06	6-32 X 3/8" Torx Stainless Steel Screw	2
5	240-5005-00	6-32 Nylon Stop Nut	12
6	242-5001-00	#6 Washer	16
7	355-5168-00-00	Nut: Lock w/ Cam	1
8	515-9842-00	Speaker Panel-LCD	1
9	515-9843-00	Speaker Plate [Premium]	2
	515-1941-00	Speaker Plate 5-1/4" [LE]	2
10	515-9845-00	Hinge, Speaker Panel, LCD	2
11	545-9877-00	LCD Window	1
12	545-9877-01	Spacer, Small - LCD Speaker Panel	4
13	626-5109-00	Speaker Foam - LCD Panel	2
14	545-1046-02	Speaker Red Rings [LE]	2



# 5.7 CABINET PARTS



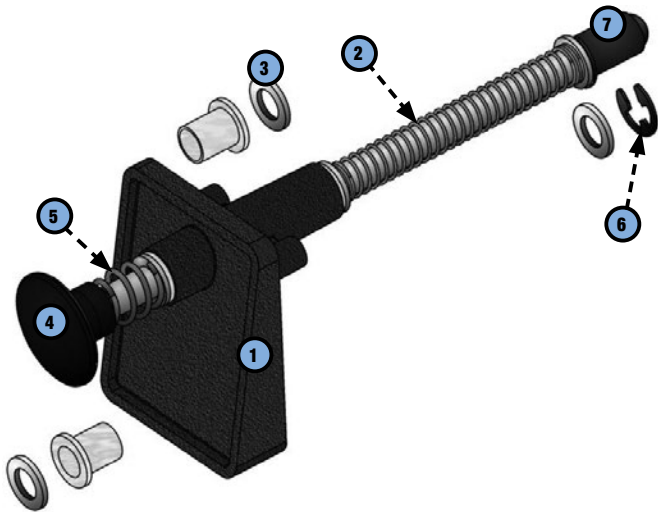
ID	Part Number	Description	Qty
1	525-6026-01	Cabinet (Melamine Single Button)	1
2	535-5989-00	Slide & Pivot Bracket - Left Side	1
3	535-5990-00	Slide & Pivot Bracket - Right Side	1
4	535-2051-00	Cabinet Playfield Support Bracket	1
5	500-2440-30	Front Molding Assembly - Baby Rockstar [LE]	1
	500-2440-00	Front Molding Assembly - Wrinkle Black [Premium]	1
6	535-7999-30L	Pivot Hinge, Left - Baby Rockstar [LE]	1
	535-7999-00	Pivot Hinge, Left - Wrinkle Black [Premium]	1
7	535-7999-30R	Pivot Hinge, Right - Baby Rockstar [LE]	1
	535-7999-01	Pivot Hinge, Right - Wrinkle Black [Premium]	1
8	254-5042-00	Spacer Nut, Hex, 1/2"OD, 1/4-20	2
9	242-5084-00	Washer, 1/2" I.D., 3/16" THK	2
10	231-5072-00	1/4-20 X 1/2" Carriage Bolt	2
11	545-5017-00	Plastic Channel	2
12	545-9802-00	Glass Rear Extrusion	1
13	535-0902-01-30	Side Armor Left - Baby Rockstar [LE]	1
	535-0902-02-30	Side Armor Left - Baby Rockstar [LE]	1
	535-7297-02	Side Armor - Wrinkle Black [Premium]	2
14	500-6146-00-07	Ball Shooter Assembly	1
15	535-5027-01	Plunger Support Plate, Notched	1
16	500-5026-32	Flipper Button Assembly (Red)	2
17	501-5018-173	Coin Door 2-Chute No Emboss	1
18	180-5160-01	Flipper Switch, Single	1
	180-5164-01	Flipper Switch, Double	1
19	545-5072-03	Grill - Speaker / Vent	1
20	545-5072-02	Grill - Speaker / Vent	1
21	031-5007-01	Speaker, Cabinet 8" Round, 4 ohm	1

22	545-5090-00	Cash Box - Plastic	1
23	535-5013-03	Cash Box Cover	1
24	535-7562-00	Cash Box Lock Bracket Wire	1
25	535-7772-00	Hair Pin Clip	1
26	500-5921-30	Leg Assembly - Baby Rockstar [LE]	4
	500-5921-50	Leg Assembly - Wrinkle Black [Premium]	4
27	516-0007-00	Tilt Assembly	1
28	820-76N2-03	Decal, Cabinet Left, Black Knight LE	1
	820-76N3-03	Decal, Cabinet Left, Black Knight Premium	1
29	820-76N2-04	Decal, Cabinet Right, Black Knight LE	1
	820-76N3-04	Decal, Cabinet Right, Black Knight Premium	1
30	820-76N2-05	Decal, Cabinet Front, Black Knight LE	1
	820-76N3-05	Decal, Cabinet Front, Black Knight Premium	1
31	660-5001-00	Playfield Glass [Premium]	1
	660-5053-00	High Resolution Glass [LE]	1
32	520-6967-72	Cabinet Node Board	1
33	031-5016-00	Woofers 8" RD 4 OHM	1
	820-76N2-XX	Cabinet Decal Replacement Set	
	820-76N3-XX		



## 5.8 BALL SHOOTER ASSEMBLY

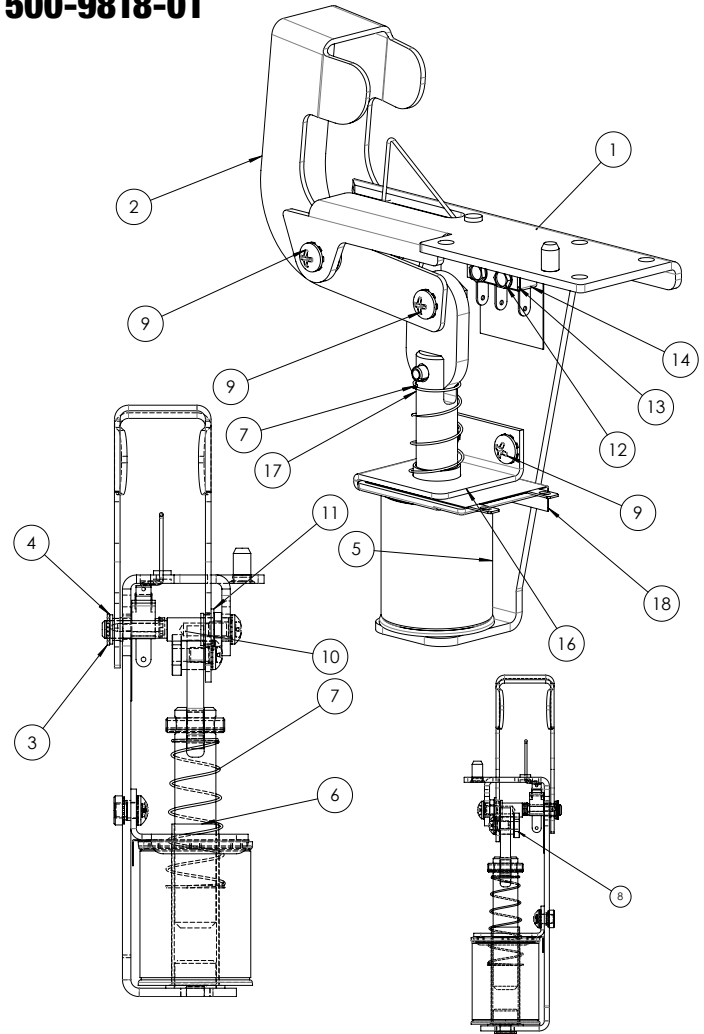
500-6146-00-07



ID	Part Number	Description	Qty
1	535-5067-02	Housing Assembly	1
2	266-5001-07	Compressed Spring (Long) - Orange	1
3	242-5014-00	Washer 3/8 ID x 5/8 OD x 1/16	3
4	515-6557-00	Rod Assembly	1
5	266-5010-00	Compressed Spring (Short)	1
6	270-5012-00	Retaining Ring, 3/8"	1
7	545-5276-00	Rubber Tip	1

## 5.9 AUTO LAUNCH ASSEMBLY

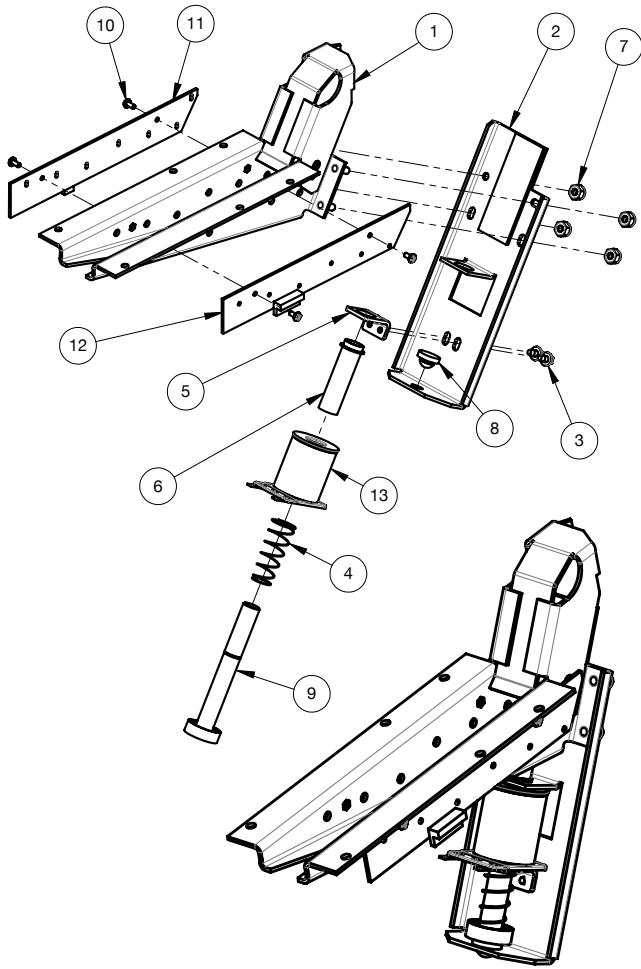
500-9818-01



ID	Part Number	Description	Qty
1	515-9689-00	MAIN BRKT: AUTO-PLUNGER	1
2	535-0728-00	KICKER ARM, AUTO-PLUNGER	1
3	270-5001-00	RETAINING E-RING, 3/16" SHAFT OD	1
4	545-5352-00	NYLINER, 3/16" SHAFT	1
5	090-5044-ND	COIL - 23-800, NO DIODE	1
6	545-5411-00	COIL SLEEVE	1
7	266-5020-00	COMPRESSION SPRING-CONICAL	1
8	530-7834-00	PIN: KICKER ARM, AUTO-PLUNGER	1
9	232-5300-00	SCREW, 8-32 X 1/4" PPH SEMS	4
10	530-7835-00	PIVOT, AUTO-PLUNGER	1
11	545-5423-00	NYLINER, 1/4" SHAFT, 4L1-FF	1
12	237-5937-02	SCREW, 2-56 X 1/2" HWH MS	2
13	535-6539-00	SWITCH BODY PROTECT PLATE	1
14	180-5157-01	SHOOTER SWITCH - SHORT ARM	1
15	545-6268-00	FISCHE PAPER	1
16	535-0762-00	COIL BRACKET-AUTOPLUNGER	1
17	515-6304-03	PLUNGER / LINK ASSEMBLY	1
18	545-0762-00	FISCHE PAPER: AUTO-LAUNCHER	1

## 5.10 BALL TROUGH ASSEMBLY

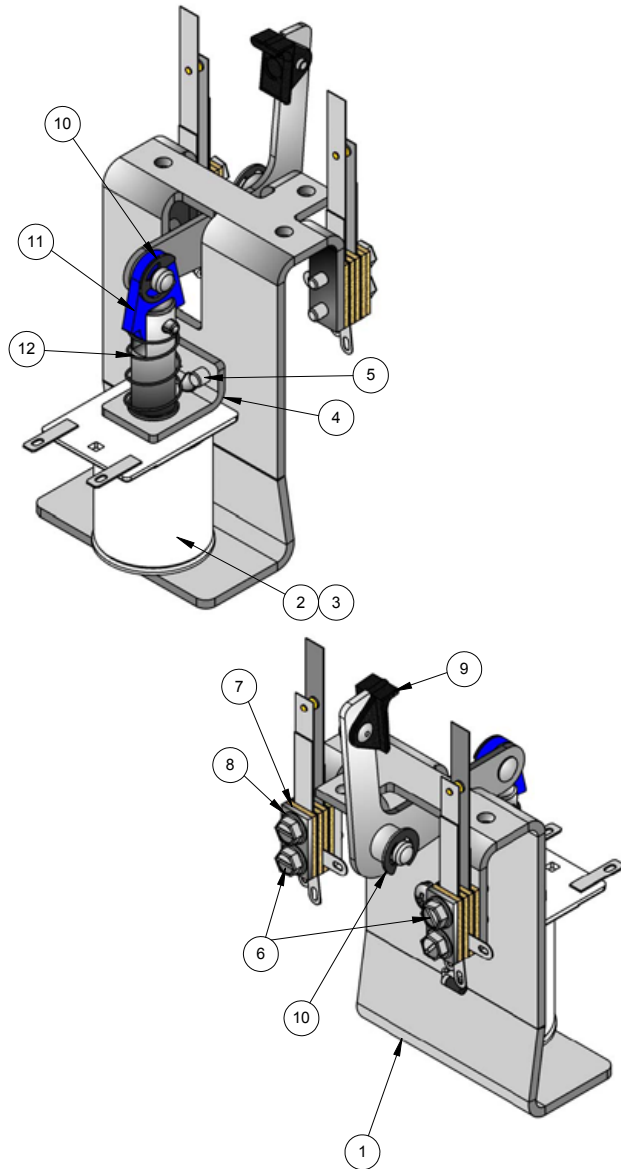
500-9820-00



ID	Part Number	Description	Qty
1	515-7811-00	MAIN BRKT. BALL TROUGH	1
2	515-7812-00	COIL BRACKET, BALL TROUGH	1
3	237-5975-04	SCREW, 8-32 X 1/4" HWH SWAGE SERR	2
4	266-5020-00	COMPRESSION SPRING-CONICAL	1
5	535-5203-03	COIL RETAINING BRACKET	1
6	545-5076-01	COIL SLEEVE	1
7	240-5102-00	8-32 NYLON LOCK NUT	4
8	545-5105-00	RUBBER BUMPER	1
9	515-7309-01	PLUNGER ASSEMBLY	1
10	237-5909-00	SCREW, 4-40 X 1/4" PPH SEMS	4
11	520-5344-00	TROUGH BOARD #1 - ILED TRANSMITTER	1
12	520-7001-00	TROUGH BOARD #2 - RECEIVER	1
13	090-5004-ND	COIL 27-1500 - NO DIODE	1
98*	605-5006-00	SHRINK TUBING 1/8"	.42 FT.
99*	036-5611-11-F5	CABLE TROUGH OPTOS	1

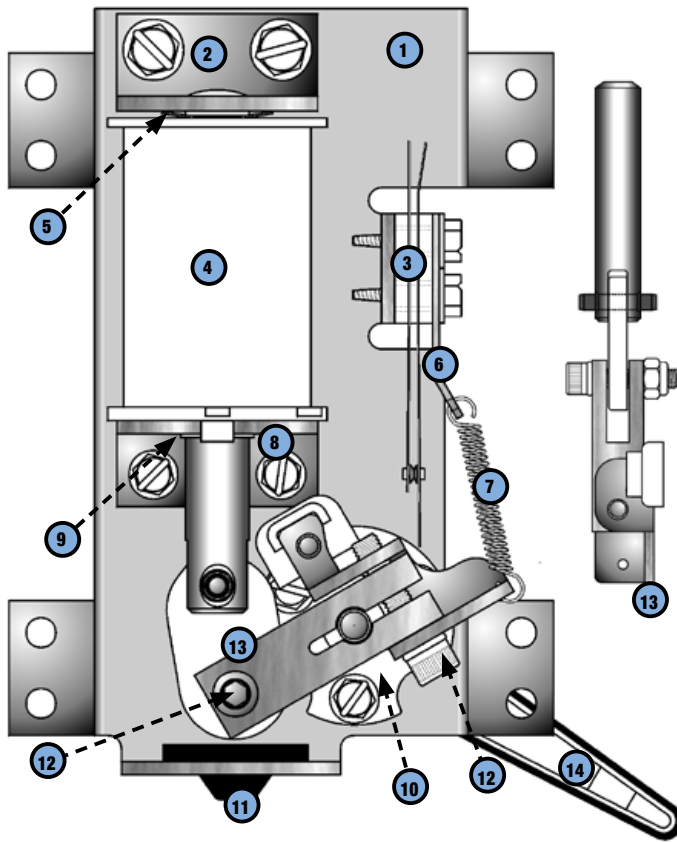
## 5.11 SLINGSHOT ASSEMBLY

500-9920-01

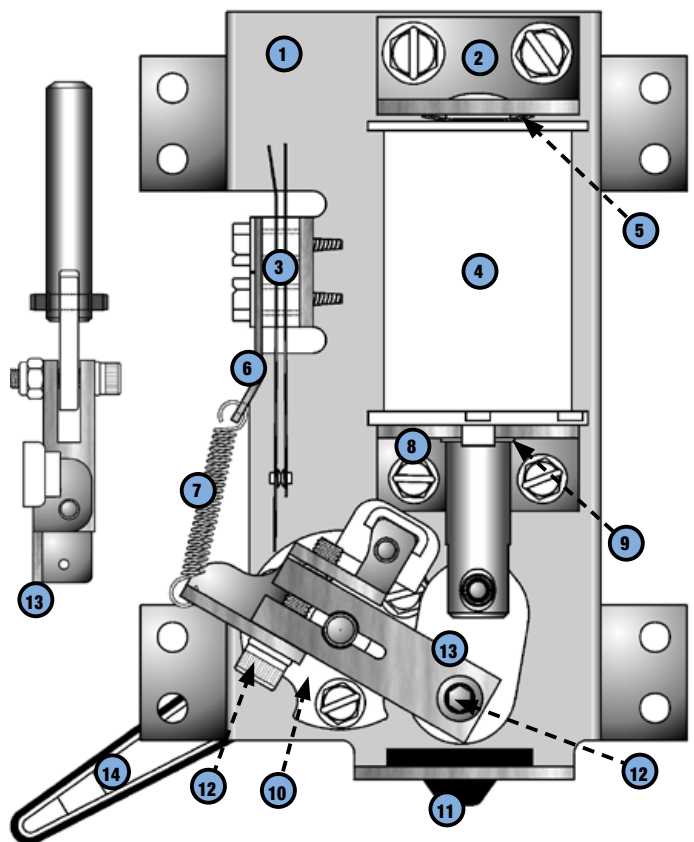


ID	Part Number	Description	Qty
1	515-5339-01	SLINGSHOT BRACKET ASSEMBLY	1
2	090-5044-ND	COIL 26-1200 - NO DIODE	1
3	545-5031-00	COIL SLEEVE	1
4	535-5203-03	COIL RETAINER BRACKET	1
5	232-5301-00	8-32 X 3/8 PPH MS EXT SEMS ZC	2
6	180-5231-00	SWITCH SLING SHOT 2 LUG CENTER	2
7	535-5045-00	SWITCH PLATE	2
8	237-5976-04	6-32 X 5/8 SLOT SER HWH SW	4
9	515-5340-01	ARM & TIP ASSEMBLY	1
10	270-5002-00	RETAINING RING - 1/4 DIA	2
11	515-5338-00	PLUNGER & LINK ASSEMBLY	1
12	266-5020-00	COMP SPRING CONICAL	1
13	036-5604-00	4" GENERIC JUMPER	2

### 5.12 FLIPPER ASSEMBLY, LEFT 500-6543-12-ND



### 5.13 FLIPPER ASSEMBLY, RIGHT 500-6543-02-ND

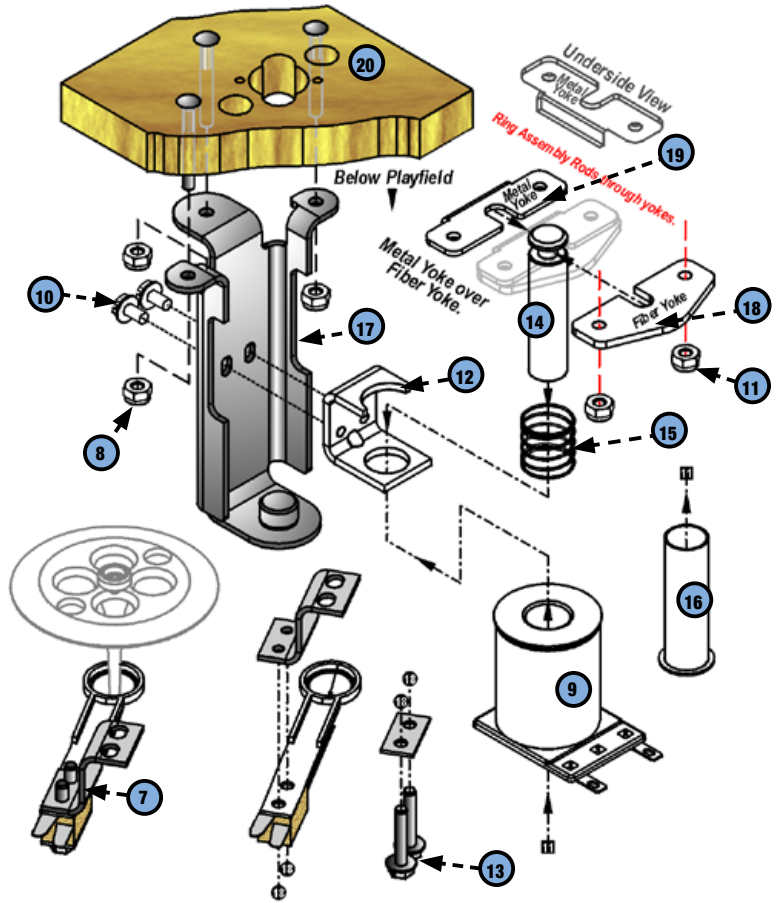
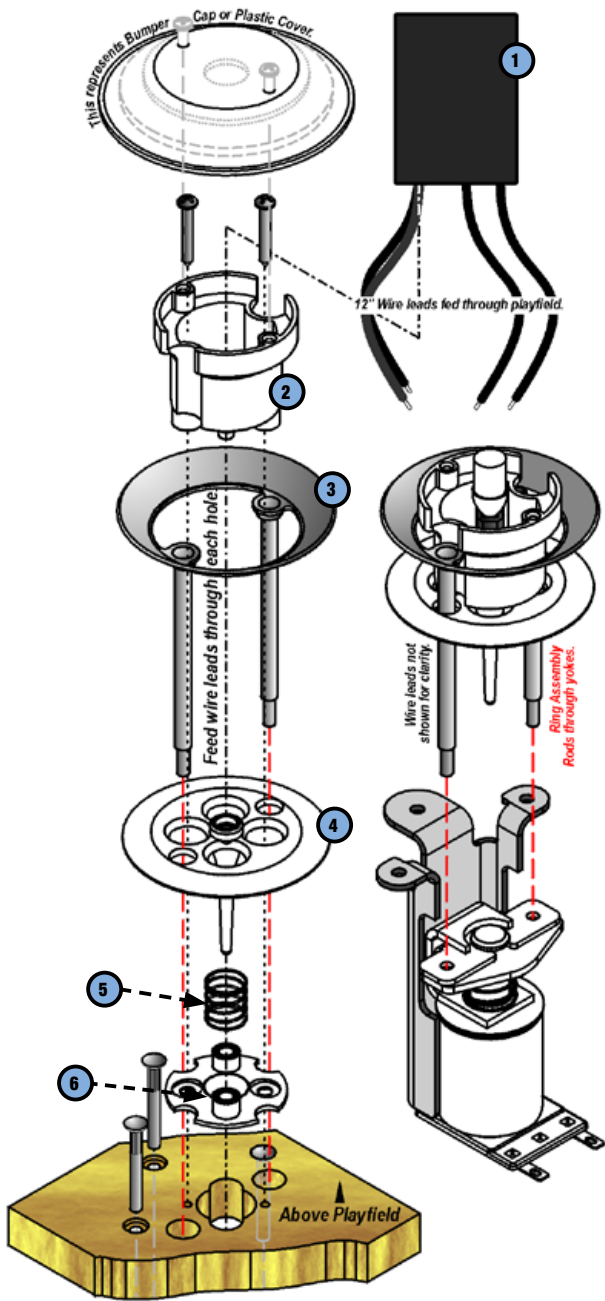


ID	Part Number	Description	Qty
1	515-6617-01	FLIPPER BASE PLATE LEFT KIT W/ BRACKET MOUNT HARDWARE	1
2	515-6308-01	COIL STOP BRACKET	1
3	180-5149-00	SWITCH - END OF STROKE N/C	1
4	090-5020-20-ND	COIL	1
5	269-5002-00	SPRING WASHER	1
6	535-7354-00	SWITCH RETURN SPRING BRACKET	1
7	265-5035-00	SPRING FLIPPER RETURN	1
8	535-7356-00	COIL SUPPORT BRACKET	1
9	545-5388-00	COIL SLEEVE, FLIPPER	1
10	545-5070-00	FLIPPER BAT BUSHING	1
11	545-5428-00	FLIPPER BUMPER PAD	1
12	237-6144-00	SET SCREW #10-32 x 3/4" SOCKET	2
13	515-7203-01	PLUNGER/CRANK ASSEMBLY, LEFT	1
14	515-5133-08-06	FLIPPER BAT AND SHAFT*	1
	500-6307-10	FLIPPER REBUILD KIT, LEFT	
		* Refer to game rubber chart for flipper rubber color and part number.	

ID	Part Number	Description	Qty
1	515-6617-00	FLIPPER BASE PLATE RIGHT KIT W/ BRACKET MOUNTING HARDWARE	1
2	515-6308-01	COIL STOP BRACKET	1
3	180-5149-00	SWITCH - END OF STROKE N/C	1
4	090-5032-ND	COIL	1
5	269-5002-00	SPRING WASHER	1
6	535-7354-00	SWITCH RETURN SPRING BRACKET	1
7	265-5035-00	SPRING FLIPPER RETURN	1
8	535-7356-00	COIL SUPPORT BRACKET	1
9	545-5388-00	COIL SLEEVE, FLIPPER	1
10	545-5070-00	FLIPPER BAT BUSHING	1
11	545-5428-00	FLIPPER BUMPER PAD	1
12	237-6144-00	SET SCREW #10-32 x 3/4" SOCKET	2
13	515-7203-00	PLUNGER/CRANK ASSEMBLY	1
14	515-5133-08-06	FLIPPER BAT AND SHAFT*	1
	500-6307-00	FLIPPER REBUILD KIT, RIGHT	
		* Refer to game rubber chart for flipper rubber color and part number.	

# 5.14 POP BUMPER ASSEMBLY

516-6784-XX



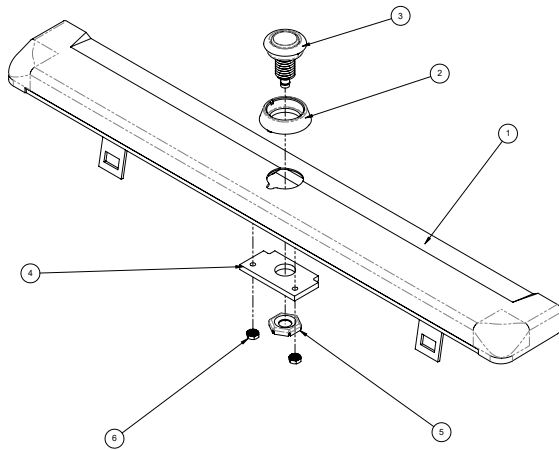
ID	Part Number	Description	Qty
1	520-5307-03	POP BUMPER LED MODULE	1
2	545-5197-00	BUMPER BODY	1
3	515-5085-00	RING AND ROD ASSY	1
4	545-5607-00	BUMPER SKIRT	1
5	266-5048-00	BUMPER SKIRT COMP SPRING	1
6	545-5195-00	BUMPER BASE	1

Part Number	Description	Qty
515-6459-01L	BUMPER/RING TOP ASSY, W/ LED 1	1
515-6459-04-ND	BUMPER BOTTOM ASSY, NO DIODE	1

ID	Part Number	Description	Qty
7	500-9934-01	POP BUMPER SWITCH ASSY-2 - LUG-LEFT	1
8	240-5005-00	6-32 NYLON STOP NUT	3
9	090-5044-ND	COIL - 26-1200	1
10	237-5976-01	#6-32 X 1/4" SHWH SWAGE ZN	2
11	240-5005-00	#6-32 NYLON STOP NUT	2
12	535-7347-00	METAL YOKE STOP	1
13	234-5101-00	* 8 X 1/2 SLT	6
14	530-5348-00	PLUNGER, POP BUMPER	1
15	266-5047-00	COMPRESSION SPRING, POP BUMPER	1
16	545-5031-00	COIL SLEEVE	1
17	515-5939-00	COIL BRACKET POP BUMPER ASSY	1
18	545-5609-00	FIBER YOKE	1
19	535-7346-00	METAL YOKE	1
20	237-5957-00	#6-32 x 1-3/16" SPIRAL FIN SHANK SCREW	3

### 5.15 FRONT MOLDING ASSEMBLY

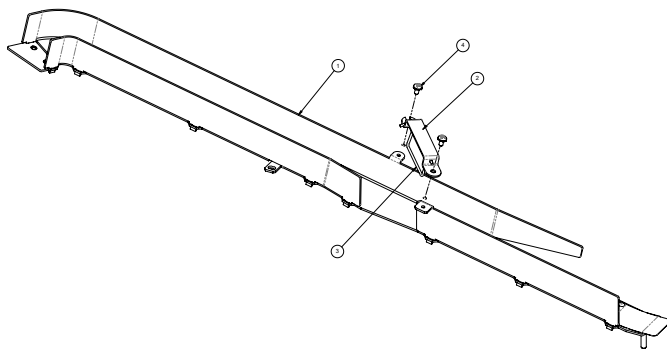
500-2440-XX



ID	Part Number	Description	Qty
1	500-2441-00	FRONT MOLD ASSEMBLY [PREMIUM]	1
	500-2441-30	FRONT MOLD ASSEMBLY [LE]	1
2	545-7292-10	TOP BUTTON SPACER-MOLDED	1
3	515-7791-00	BUTTON ASSY - CLEAR	1
4	545-7291-00	TOP BUTTON BAR	1
5	240-5003-01	PAL NUT	1
6	240-5104-00	8-32 KEPS NUT	2

### 5.16 SHOOTER RAMP ASSEMBLY

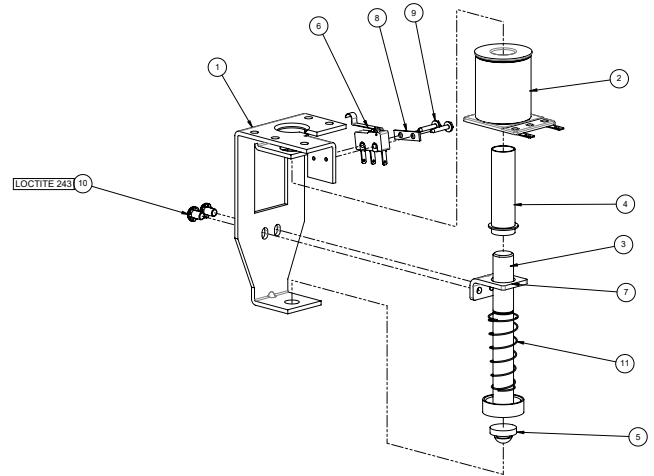
500-1114-00



ID	Part Number	Description	Qty
1	510-1009-00	RIVETED ASSEMBLY, SHOOTER RAMP, BLACK KNIGHT L E	1
2	535-1869-00	BRACKET - ONE WAY GATE	1
3	535-1826-00	WIRE - ONE-WAY GATE	1
4	232-5200-00	SCREW, 6-32 X 1/4" PPH SEMS	2

### 5.17 VUK ASSEMBLY

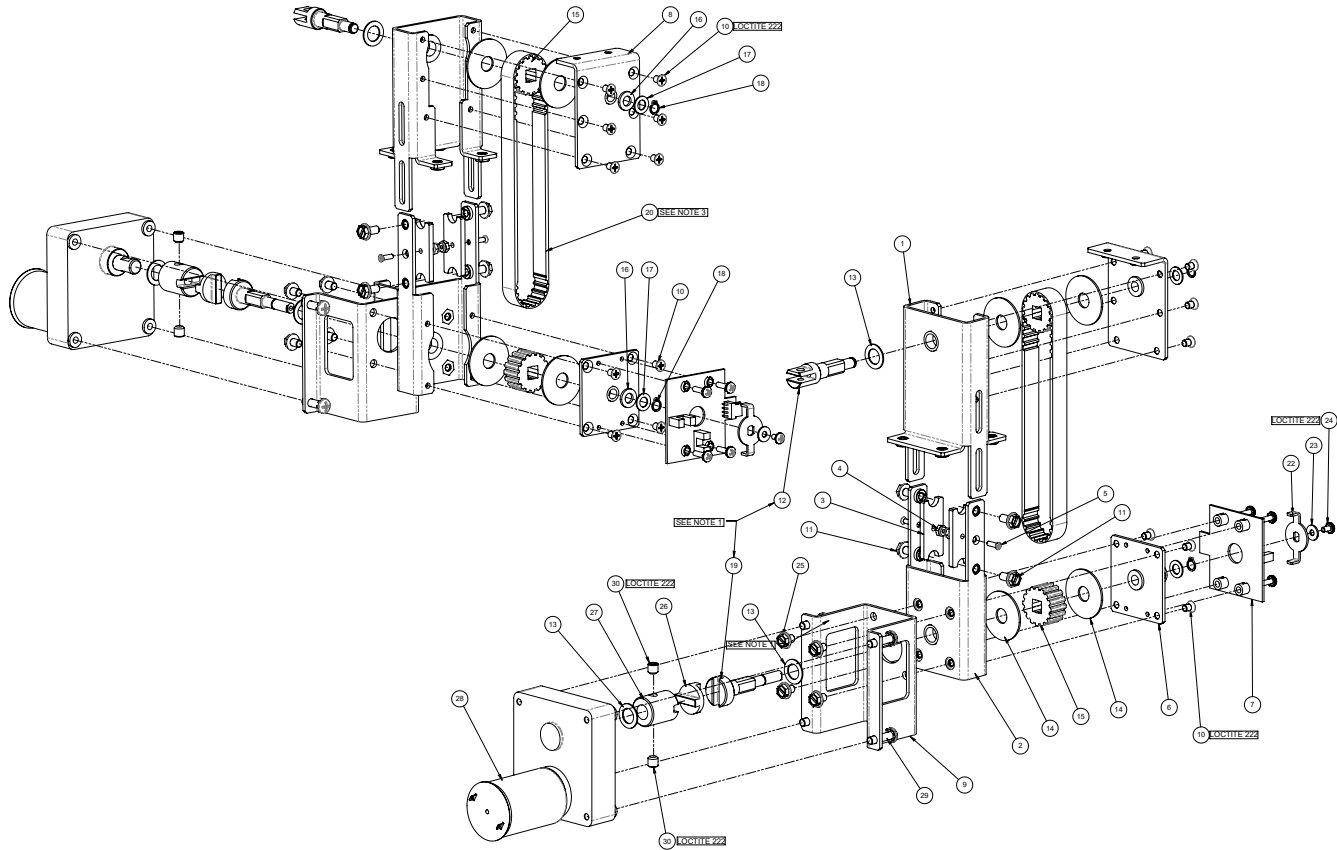
500-6867-04



ID	Part Number	Description	Qty
1	535-9590-02	VUK BRACKET - L.H. - NO ACTUATOR	1
2	090-5036-ND	COIL, 24-940, NO DIODE	1
3	515-7309-00	PLUNGER ASSEMBLY	1
4	545-5076-01	COIL SLEEVE	1
5	545-5105-00	RUBBER BUMPER	1
6	180-5209-00	SUB MINIATURE SWITCH - SIM. ROLLER	1
7	535-5203-03	COIL RETAINING BRACKET	1
8	535-6539-00	SWITCH BODY PROTECT PLATE	1
9	237-5937-02	SCREW, 2-56 X 1/2" HWH MS	2
10	232-5300-00	SCREW, 8-32 X 1/4" PPH SEMS	2
11	266-5020-00	COMPRESSION SPRING-CONICAL	1

# 5.18 TWIN FLAIL TOWER ASSEMBLY

## 500-1127-02

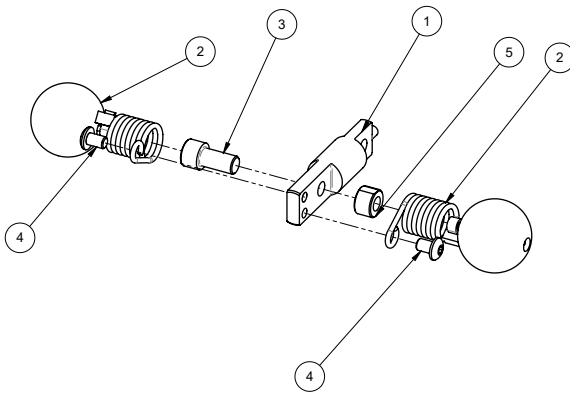


ID	Part Number	Description	Qty
1	515-1957-02	BRACKET, UPPER, TWIN FLAIL TOWER	1
2	515-1958-02	BRACKET, LOWER, TWIN FLAIL TOWER	1
3	545-1060-02	GLIDE BLOCK, CENTERING, TWIN FLAIL TOWER	2
4	240-5303-00	4-40 NYLON LOCK NUT	2
5	237-5983-01	SCREW, 4-40 X 3/8" PFH MS, SS	2
6	515-1960-00	COVER PLATE, LOWER BRACKET, TWIN FLAIL TOWER	1
7	520-8056-00	PCBA OPTO SLOT, TWIN FLAIL TOWER	1
8	515-1959-00	COVER PLATE, UPPER BRACKET, TWIN FLAIL TOWER	1
9	535-1898-00	BRACKET, MOTOR, TWIN FLAIL TOWER	1
10	237-6030-02	SCREW, 8-32 X 1/4" PFH MS	10
11	237-5985-00	SCREW, 10-32 X 3/8" HWH SWAGE	4
12	530-7986-00	DRIVE SHAFT, UPPER, FLAIL TOWER, BLACK KNIGHT	1
13	242-5628-00	WASHER, ACETAL, .39 ID X 5/8 OD X .031	3
14	535-1370-03	TIMING BELT PULLEY FLANGE	4
15	530-7929-01	TIMING BELT PULLEY-XL(.200 PITCH)-16 TOOTH, .312 SQUARE BORE	2

16	242-5072-01	NYLON WASHER .252 ID X .472 OD	2
17	242-5012-00	WASHER, 1/4 X 7/16 X 1/32	2
18	270-5410-00	EXTERNAL RETAINING RING, 1/4" O.D. SHAFT	2
19	530-7989-00	DRIVESHAFT, LOWER, FLAIL TOWER, BLACK KNIGHT	1
20	515-9754-16	TIMING BELT-XL (.200 PITCH), 70 TEETH	1
21	232-5202-00	SCREW, 6-32 X 1/2" PPH MS SEMS	4
22	535-1899-00	FLAG, OPTO	1
23	242-5001-00	#6 WASHER	1
24	232-5200-00	SCREW, 6-32 X 1/4" PPH SEMS	1
25	237-6178-04	10-32 X 1/4 SHWH SWAGE SCREW	4
26	545-1059-00	COUPLING INTERFACE, OLDDHAM	1
27	530-7990-00	HUB, MOTOR DRIVE. FLAIL TOWER, BLACK KNIGHT	1
28	511-1089-00	MOTOR ASSEMBLY, CAPS & CABLE	1
29	232-5404-00	SCREW, 10-32 X 3/4" PPH MS SEMS	4
30	237-6335-00	1/4-28 X 1/4" ALLOY STEEL FLAT TIP SET SCREW	2

### 5.19 TWIN FLAIL ASSEMBLY

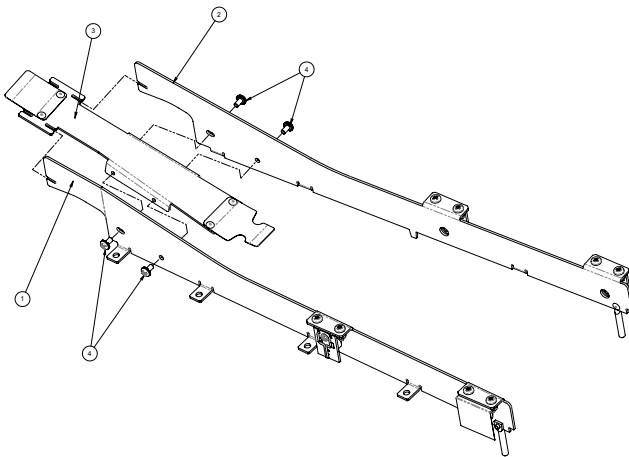
511-1962-01



ID	Part Number	Description	Qty
1	530-7985-01	SHAFT, FLAIL MOUNT - BLACK KNIGHT	1
2	511-1963-01	FLAIL ASSEMBLY, BLACK KNIGHT	2
3	237-6348-00	SCREW, 1/4-20 X 1/2" SHCS	1
4	237-6345-00	SCREW, 8-32 X 1/4", BUTTON HEAD SOCKET CAP	2
5	530-7988-01	SPRING SUPPORT, TAPPED, TWIN FLAIL ASSEMBLY	1

### 5.20 FLAIL RAMP ASSEMBLY

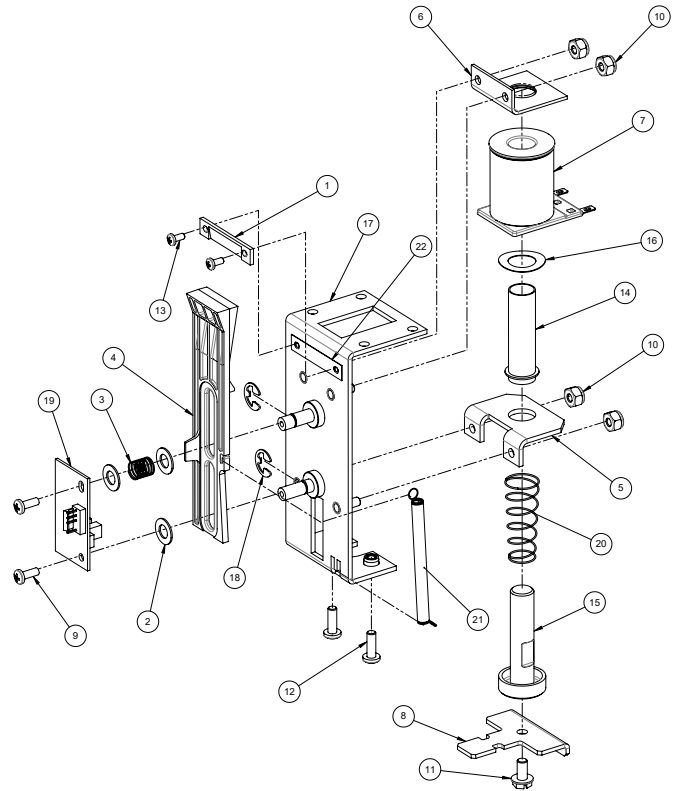
511-1964-00



ID	Part Number	Description	Qty
1	511-1941-06	BALL GUIDE ASSEMBLY # 06, BLACK KNIGHT	1
2	511-1941-07	BALL GUIDE ASSEMBLY # 07, BLACK KNIGHT	1
3	510-7744-00	FLAIL RAMP, RIVETED ASSEMBLY, BLACK KNIGHT	1
4	232-5200-00	SCREW, 6-32 X 1/4" PPH SEMS	4

### 5.21 1-BANK DROP TARGET ASSEMBLY

500-7029-01

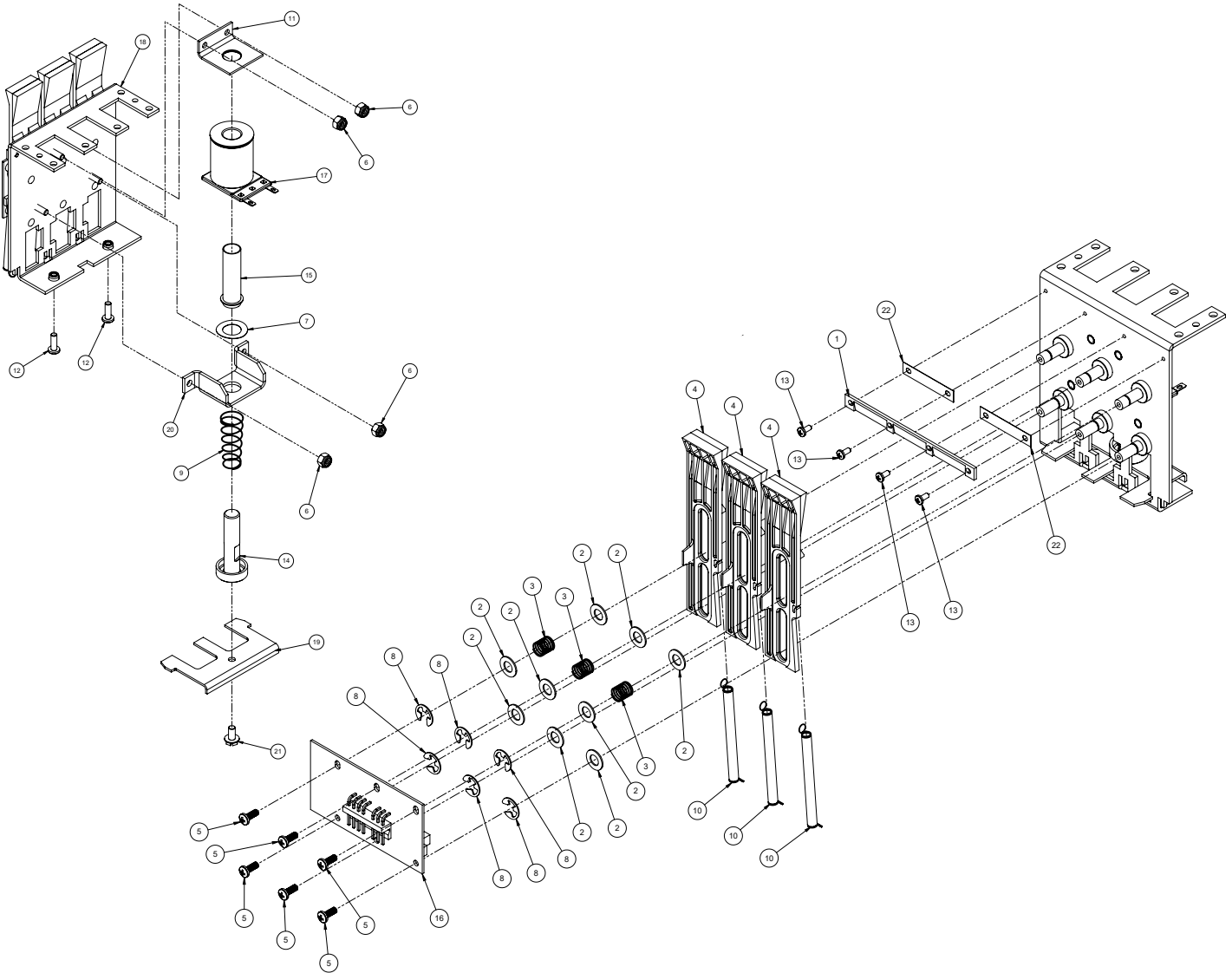


ID	Part Number	Description	Qty
1	545-6163-01	LEDGE, 1-BANK DROP TARGET	1
2	242-5091-00	WASHER, 1/2 X 17/64 X .03 - DT	3
3	266-5089-00	SPRING COMPRESSION - DT	1
4	545-6305-00	TARGET - ROLLOVER - BLACK	1
5	535-9777-01	COIL BRACKET-DT-OD	1
6	535-9959-00	STOP BRKT	1
7	090-5034-ND	COIL 25-1240 - NO DIODE	1
8	535-9760-01A	LIFT BRKT - 1 BANK	1
9	237-5501-00	SCREW, 6-32 X 3/8" PPH MS ZINC	2
10	240-5102-00	8-32 NYLON LOCK NUT	4
11	237-5985-00	SCREW, 10-32 X 3/8" HWH SWAGE	1
12	237-5602-00	SCREW, 8-32 X 1/2" PPH MS ZINC	2
13	237-6169-00	SCREW, 4-40 X 1/4 PPH MS	2
14	545-5076-01	COIL SLEEVE	1
15	530-5757-00	PLUNGER - D.T. ASSY.	1
16	269-5002-00	SPRING WASHER	1
17	515-7604-01	DROP TARGET FRAME ASSY - 1-BANK	1
18	270-5002-00	RETAINING RING - 1/4"	2
19	520-5252-01	1 BANK DROP TARGET PCB-OPTO	1
20	266-5020-00	COMPRESSION SPRING-CONICAL	1
21	265-5003-02	TARGET RESET SPRING	1
22	545-6798-00	SHIM - FICHE PAPER - D.T. SINGLE	1
98*	036-5542-00	DROP TARGET CABLE	1
99*	605-5006-00	1/8" PVC TUBING	.1FT



# 5.22 3-BANK DROP TARGET ASSEMBLY

500-7216-13



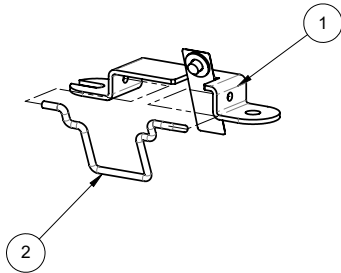
ID	Part Number	Description	Qty
1	545-6163-03	LEDGE, 3-BANK DROP TARGET	1
2	242-5091-00	WASHER, 1/2 X 17/64 X .03 - DT	9
3	266-5089-00	SPRING COMPRESSION - DT	3
4	545-6305-00	TARGET - ROLLOVER - BLACK	3
5	237-5501-00	SCREW, 6-32 X 3/8" PPH MS ZINC	6
6	240-5102-00	8-32 NYLON LOCK NUT	4
7	269-5002-00	SPRING WASHER	1
8	270-5002-00	RETAINING RING - 1/4"	6
9	266-5020-00	COMPRESSION SPRING-CONICAL	1
10	265-5003-02	TARGET RESET SPRING	3
11	535-9959-00	STOP BRKT	1
12	237-5602-00	SCREW, 8-32 X 1/2" PPH MS ZINC	2

13	237-6169-00	SCREW, 4-40 X 1/4 PPH MS	4
14	530-5757-00	PLUNGER - D.T. ASSY.	1
15	545-5076-01	COIL SLEEVE	1
16	520-5252-13	3 BANK DROP TARGET PCB-OPTO, W/ RIGHT ANGLE CONN	1
17	090-5034-ND	COIL 25-1240 - NO DIODE	1
18	515-7784-03	DROP TARGET FRAME ASSY -3-BANK	1
19	535-9996-03	LIFT BRACKET - 3 BANK	1
20	535-9995-01	COIL BRACKET	1
21	237-5985-00	SCREW, 10-32 X 3/8" HWH SWAGE	1
22	545-6798-00	SHIM - FICHE PAPER - D.T. SINGLE	2



### 5.23 ONE WAY GATE ASSEMBLY, UPPER VUK

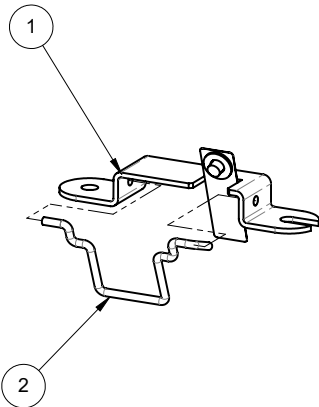
511-1995-00



ID	Part Number	Description	Qty
1	510-7757-00	SPRING FLAP/BRACKET ASSEMBLY	1
2	535-1958-00	WIRE, ONE WAY GATE	1

### 5.24 ONE WAY GATE ASSEMBLY, SHIELD

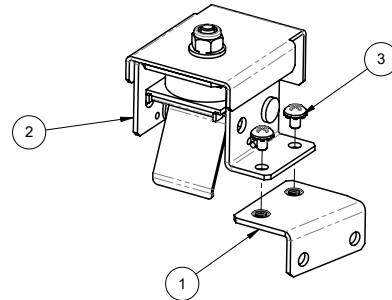
511-1996-00



ID	Part Number	Description	Qty
1	510-7758-00	SPRING FLAP/BRACKET ASSEMBLY	1
2	535-1958-00	WIRE, ONE WAY GATE	1

### 5.25 ELECTRIC GATE ASSEMBLY, LEFT

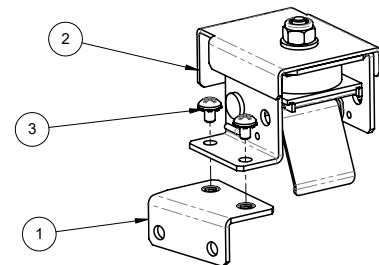
511-1966-00



ID	Part Number	Description	Qty
1	515-1981-00	BRACKET, ONE WAY GATE, LEFT	1
2	511-5033-00	ASSY, ELEC GATE LEFT, RAIL MT	1
3	232-5209-00	SCREW, 6-32 X 3/16" PPH SEMS	2

### 5.26 ELECTRIC GATE ASSEMBLY, RIGHT

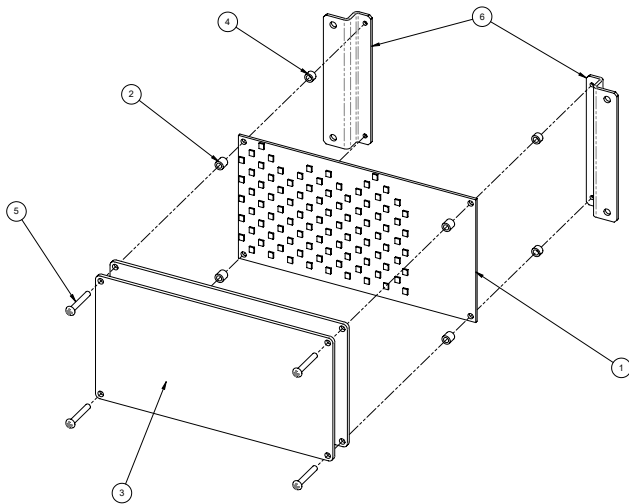
511-1966-01



ID	Part Number	Description	Qty
1	515-1981-01	BRACKET, ONE WAY GATE, RIGHT	1
2	511-5033-01	ASSY, ELEC GATE RIGHT, RAIL MT	1
3	232-5209-00	SCREW, 6-32 X 3/16" PPH SEMS	2

## 5.27 FLAME BOARD ASSEMBLY

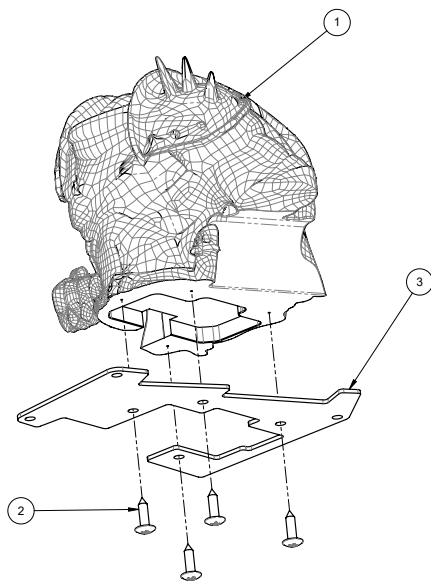
511-4064-00



ID	Part Number	Description	Qty
1	509-2006-00	FLAME BOARD LED MODULE	1
2	254-5090-01	PLASTIC SPACER #4 SCREW, 3/16" OD - 3/16" LENGTH	4
3	830-1032-00	DIFFUSER LENS, FLAME BOARD	2
4	254-5090-03	PLASTIC SPACER #4 SCREW, 3/16" OD - 1/8" LENGTH	4
5	237-5863-00	SCREW, 4-40 X 3/4 PRH	4
6	535-2031-00	BRACKET, FLAME PC BOARD	2

## 5.28 BLACK KNIGHT ASSEMBLY

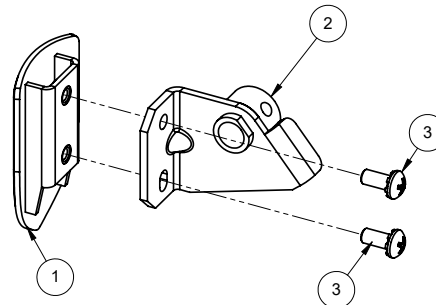
511-7970-00



ID	Part Number	Description	Qty
1	515-2062-00	BK TORSO ASSEMBLY	1
2	237-5809-00	SCREW, #6 X 1/2" PTH A	4
3	535-2071-00	BRACKET, BK SCULPT	1

## 5.29 SHIELD BRACKET ASSEMBLY

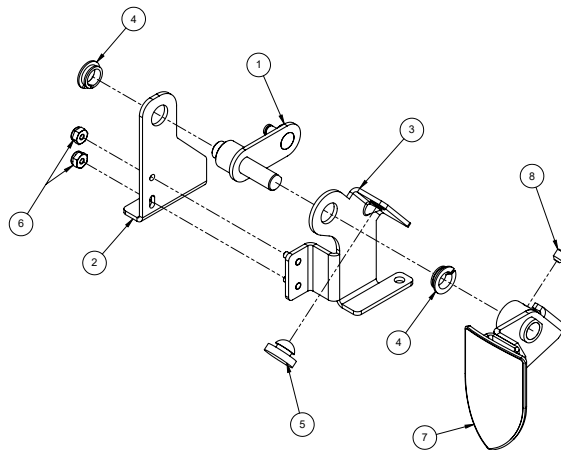
511-2740-01



ID	Part Number	Description	Qty
1	515-2006-00	BRACKET, SHIELD	1
2	515-2007-00	BRACKET, BK ARM	1
3	232-5301-00	SCREW, 8-32 X 3/8" PPH SEMS	2
4	820-1081-57	DECAL, SHIELD, BLACK KNIGHT	1

## 5.30 SHIELD ASSEMBLY

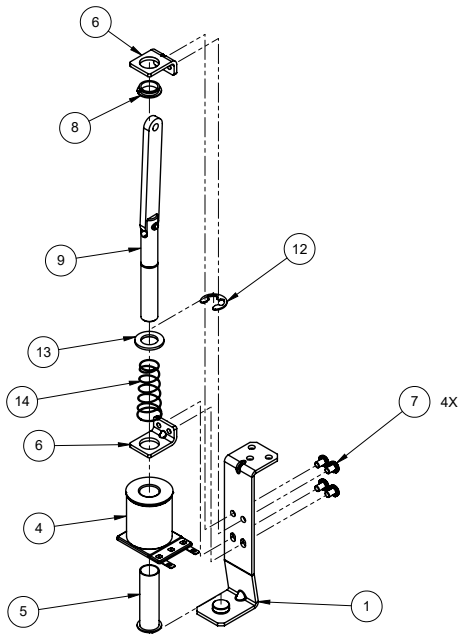
511-2743-01



ID	Part Number	Description	Qty
1	515-2009-00	CRANK, BK SHIELD ASM	1
2	535-1969-00	BRACKET, BK SHIELD, INSIDE	1
3	535-1968-00	BRACKET, BK SHIELD, OUTSIDE	1
4	545-5485-00	NYLINER-THOMSON 5/16 (5L1-FF)	2
5	545-5105-00	RUBBER BUMPER	1
6	240-5303-00	4-40 NYLON LOCK NUT	2
7	511-2740-00	BK ARM ASSEMBLY, LE	1
8	237-6317-00	10-32 X 3/16 SS CUP POINT SET SCREW	1

### 5.31 SHIELD DOWNPOST ASSEMBLY

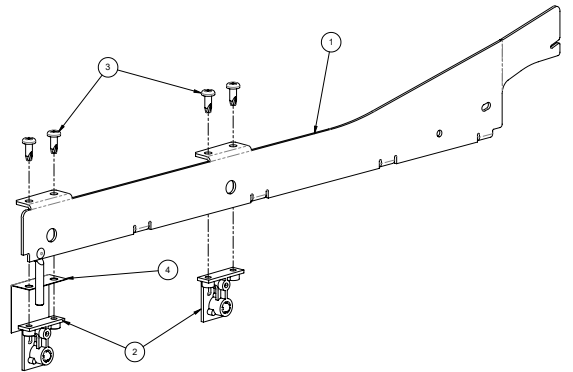
511-2741-00



ID	Part Number	Description	Qty
1	515-2008-00	BRACKET, BK SHIELD, DOWNPOST ASM	1
4	090-5001-ND	COIL, 23-800, NO DIODE	1
5	545-5411-00	COIL SLEEVE	1
6	535-5203-03	COIL RETAINING BRACKET	2
7	232-5300-00	SCREW, 8-32 X 1/4" PPH SEMS	4
8	545-5418-00	NYLINER - 7/16 SHAFTE (7L1-FF)	1
9	511-2742-00	BK SHIELD PLUNGER ASM	1
12	270-5005-00	RETAINING E-RING, 7/16" SHAFTE OD	1
13	242-5081-00	WASHER - NYLON .75 OD x .44 ID	1
14	266-5020-00	COMPRESSION SPRING-CONICAL	1

### 5.32 BALL GUIDE #6 ASSEMBLY

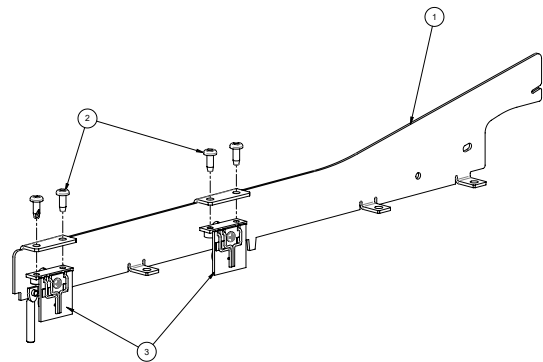
511-1941-06



ID	Part Number	Description	Qty
1	535-1862-06	BALL GUIDE # 06, BLACK KNIGHT	1
2	515-0215-00	LONG RANGE OPTO EMITTER ASSEMBLY	2
3	237-5880-00	SCREW, #6 X 3/8 PPH T-25	4
4	545-9815-00	OPTO SENSOR PROTECTOR	1

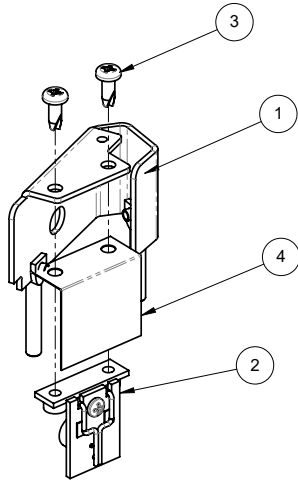
### 5.33 BALL GUIDE #7 ASSEMBLY

511-1941-07



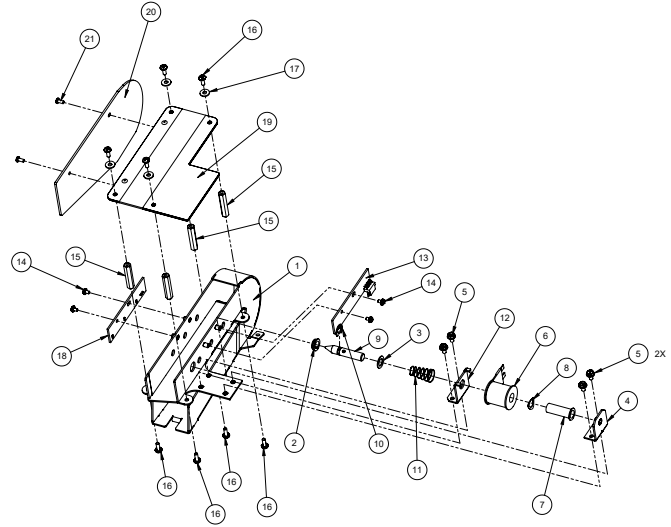
ID	Part Number	Description	Qty
1	535-1862-07	BALL GUIDE # 07 - BLACK KNIGHT	1
2	237-5880-00	SCREW, #6 X 3/8 PPH T-25	4
3	515-0215-01	LONG RANGE OPTO RECEIVER ASSEMBLY	2

### 5.34 BALL GUIDE #9 ASSEMBLY 511-1941-07



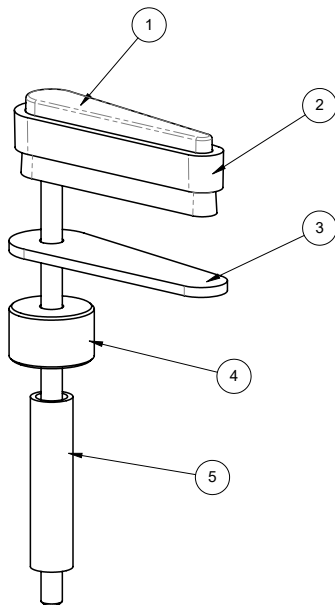
ID	Part Number	Description	Qty
1	535-1862-09	BALL GUIDE # 09 - BLACK KNIGHT	1
2	515-0215-00	LONG RANGE OPTO EMITTER ASSEMBLY	1
3	237-5880-00	SCREW, #6 X 3/8 PPH T-25	2
4	545-9815-00	OPTO SENSOR PROTECTOR	1

### 5.36 BALL LOCK ASSEMBLY, MINI PLAYFIELD 500-2470-00



ID	Part Number	Description	Qty
1	535-2036-08	RAMP, BALL LOCK, BLACK KNIGHT LE	1
2	545-5485-00	2 545-5485-00 NYLINER-THOMSON 5/16 (5L1-FF)	1
3	242-5104-00	3 242-5104-00 NYLON WASHER - 5/16 X 1/2 X .031	1
4	515-7667-00	PLUNGER STOP BRACKET	1
5	237-5976-01	SCREW, 6-32 X 1/4 HWH SWAGE	4
6	090-5046-01-ND	MINI-COIL 27-950, NO DIODE	1
7	545-5442-00	MINI - COIL SLEEVE	1
8	242-5103-00	SPRING WASHER - .331 ID X .490 OD X .0075	1
9	515-7721-00	PLUNGER ASSEMBLY - SUITCASE - 24	1
10	270-5003-00	RETAINING RING 5/16"	1
11	266-5093-01	MINI EJECT SPRING	1
12	535-2047-00	BRACKET, MINI-COIL, FRONT	1
13	520-8101-00	OPTO BOARD, RECEIVER, BALL LOCK	1
14	237-5884-00	SCREW, 4-40 X 3/16" PPH SEMS	4
15	254-5008-11	HEX SPACER - 1 1/4"	4
16	232-5201-00	SCREW, 6-32 X 3/8" PPH MS SEMS	8
17	242-5001-00	#6 WASHER	4
18	520-8100-00	OPTO BOARD, TRANSMITTER, BALL LOCK	1
19	510-7745-47	RIVETED BUTY ASSEMBLY, MINI PF, BLACK KNIGHT LE	1
20	830-1016-48	BUTY #48, MINI PF, BLACK KNIGHT LE	1
21	237-6331-00	SCREW, 4-40 X 1/4" PPH MS BLACK	2

### 5.35 UPPER FLIPPER BAT CONFIGURATION

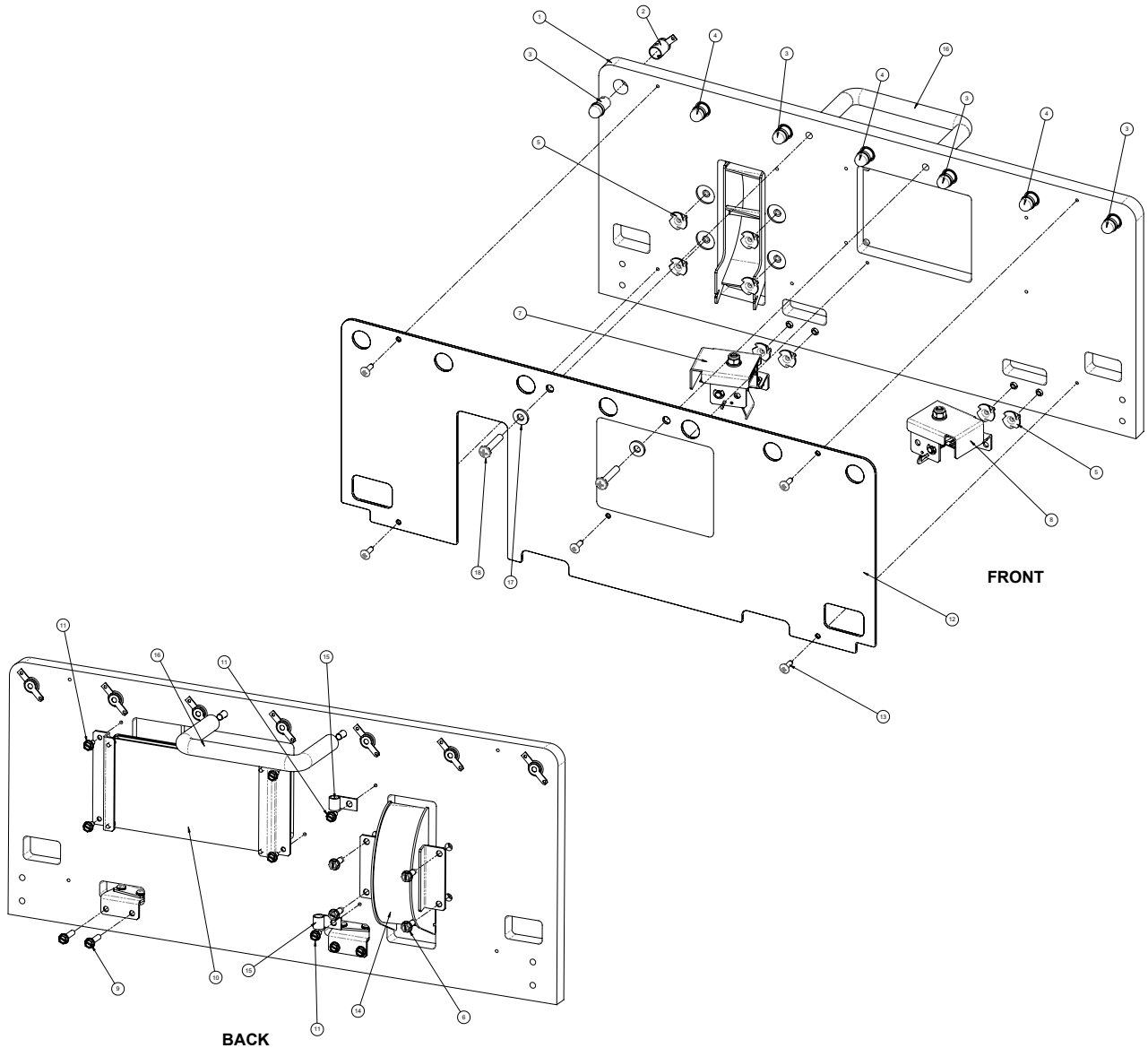


ID	Part Number	Description	Qty
1	515-8862-06	FLIPPER BAT ASSEMBLY, YELLOW	1
2	545-5277-00	RUBBER RING, 1-1/2" X 1/2"	1
3	545-1122-00	FLIPPER HOLE PLUG, BLACK KNIGHT LE	1
4	530-5633-01	SPACER, 9/32 ID X 1" OD X 5/8"	1
5	530-5634-01	SPACER, PLASTIC, 3/8"ID X 1/2"OD X 2.07"LG	1



# 5.37 BACK PANEL ASSEMBLY

500-1112-00



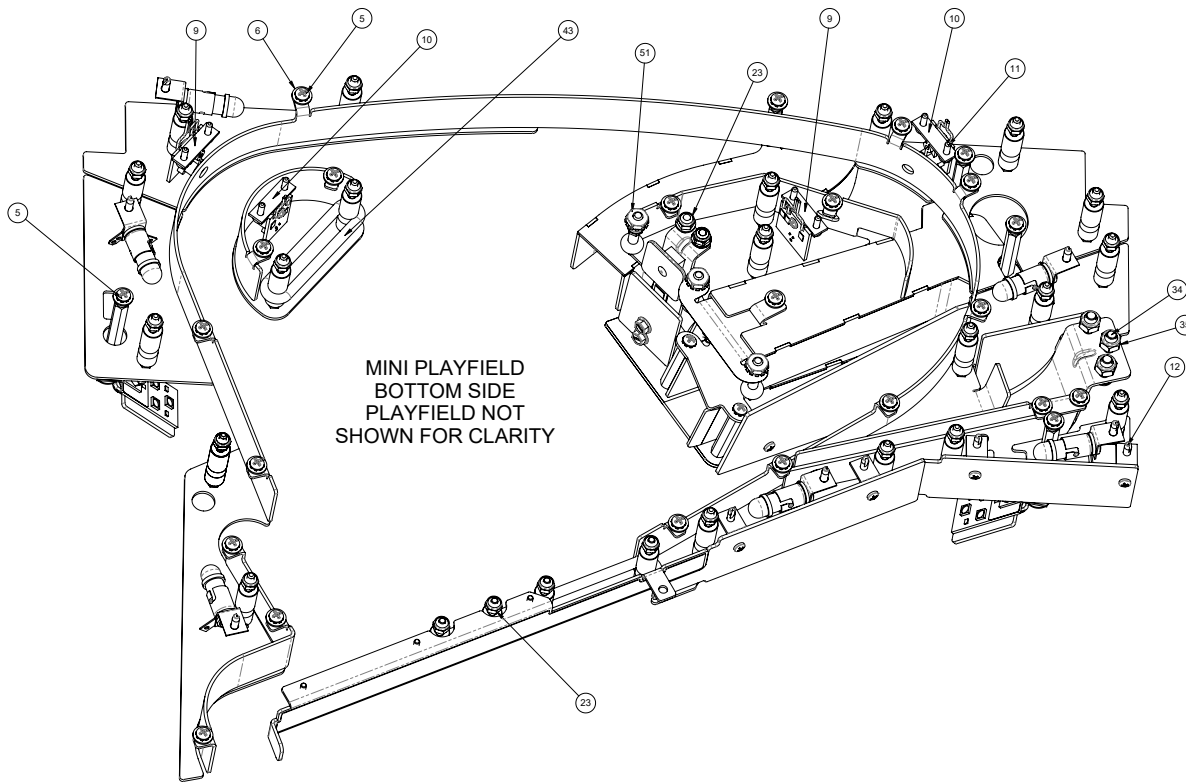
ID	Part Number	Description	Qty
1	525-1022-00	BACK PANEL - BLACK KNIGHT L E	1
2	077-5000-00	SOCKET - STAPLED - 2 LUGS	7
3	112-5034-08	DOUBLE LED, BAYONET BASE - WHITE	4
4	112-5034-02	DOUBLE LED, BAYONET BASE - RED	3
5	240-5101-00	8-32 T-NUT	8
6	237-5975-01	SCREW, 8-32 x 1/2 HWH SLOT SERR SW ZINC	4
7	511-1966-00	ELECTRIC GATE ASSEMBLY, LEFT, BLACK KNIGHT L E	1
8	511-1966-01	ELECTRIC GATE ASSEMBLY, RIGHT, BLACK KNIGHT	1
9	237-5975-03	SCREW, 8-32 X 5/8" HWH SWAGE	4

10	511-4064-00	FLAME BOARD ASSEMBLY, BLACK KNIGHT	1
11	234-5000-00	SCREW, #6 X 3/8" HWH	6
12	830-1016-50	BUTY # 50, BACK PANEL, L E	1
13	237-5809-00	SCREW, #6 X 1/2" PTH A	5
14	515-1978-00	RAMP ASSEMBLY, TURNAROUND, WELDED, BLACK KNIGHT L E	1
15	040-5000-03	1/4" CABLE CLAMP	2
16	535-1926-00	HANDLE, BACKPANEL, 2.5 INCH	1
17	242-5003-00	#10 FLAT WASHER - 1/2" O.D. X .062 THICK	2
18	232-5406-00	SCREW, 10-32 X 1" PPH SEMS	2



# 5.38 MINI PLAYFIELD

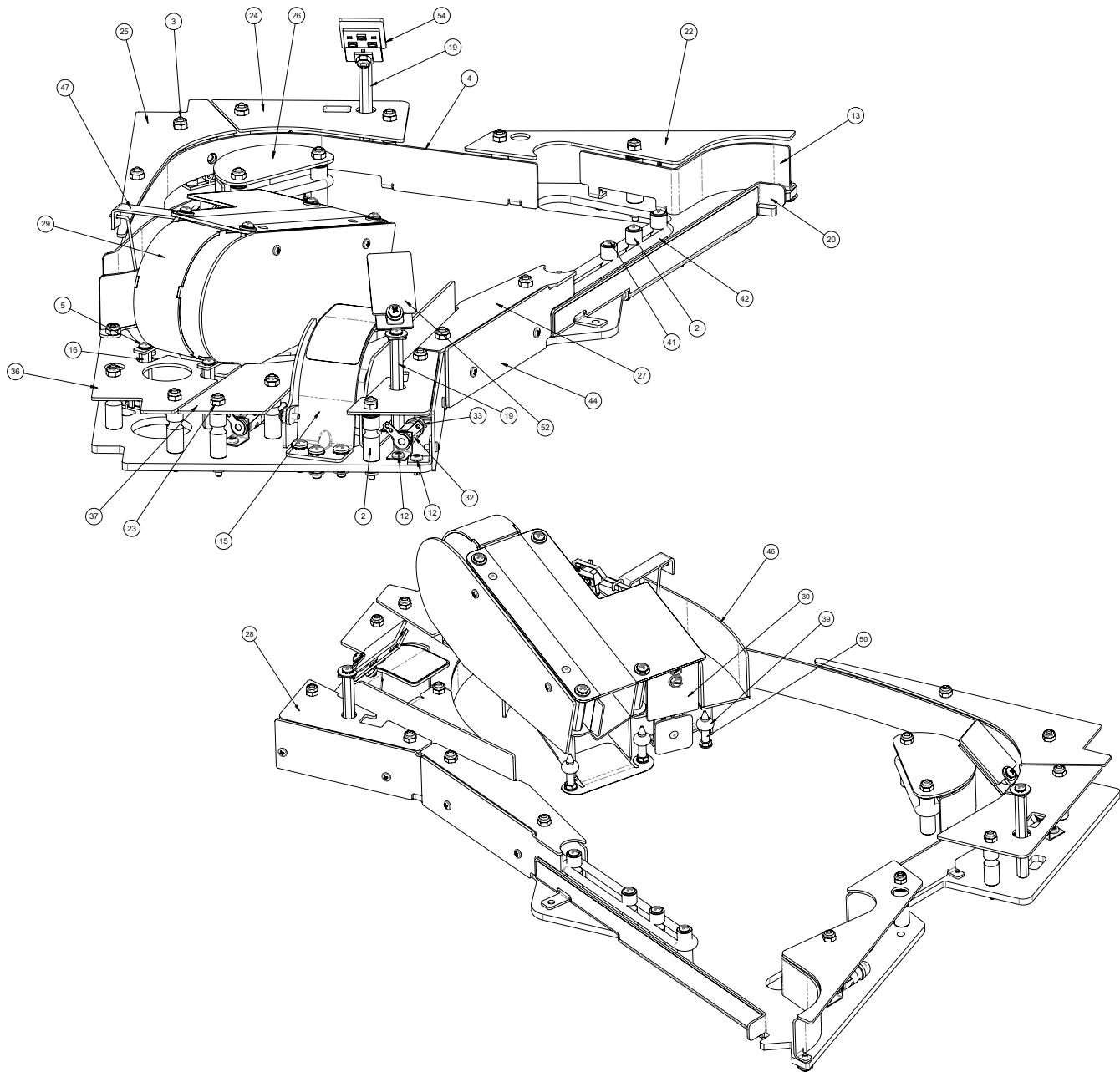
500-1113-00



ID	Part Number	Description	Qty
1	545-1111-00	PLAYFIELD, BK, UPPER	1
2	550-5059-02	PLASTIC POST - RED	25
3	530-5012-02	6-32 POST SCREW	21
4	535-2036-03	BALL GUIDE #03, MINI PF, BLACK KNIGHT L E	1
5	232-5201-00	SCREW, 6-32 X 3/8" PPH MS SEMS	31
6	242-5001-00	#6 WASHER	27
7	535-2036-05	BALL GUIDE #05, MINI PF, BLACK KNIGHT L E	1
8	535-2036-04	BALL GUIDE #04, MINI PF, BLACK KNIGHT L E	1
9	515-0215-01	LONG RANGE OPTO RECEIVER ASSEMBLY	2
10	515-0215-00	LONG RANGE OPTO EMITTER ASSEMBLY	2
11	237-6304-00	SCREW, #4 X 1/2" PPH T-25	8
12	237-5880-00	SCREW, #6 X 3/8 PPH T-25	10
13	535-2036-02	BALL GUIDE #02, MINI PF, BLACK KNIGHT L E	1
14	511-2015-06	BALL GUIDE ASSEMBLY #06, MINI PF, BLACK KNIGHT L E	1
15	511-2015-07	BALL GUIDE ASSEMBLY #07, MINI PF, BLACK KNIGHT L E	1
16	254-5008-09	HEX SPACER - 1 1/2 "	2

17	254-5008-11	HEX SPACER - 1 1/4 "	1
18	254-5008-17	HEX SPACER - 1 1/8 "	1
19	254-5008-16	HEX SPACER - 2 1/2 "	2
20	511-2015-01	BALL GUIDE ASSEMBLY #01, MINI PF, BLACK KNIGHT L E	1
21	237-6154-01	SCREW, 4-40 X 3/8" PTH MS - BLACK	3
22	830-1016-27	BUTY #27, MINI PF, BLACK KNIGHT L E	1
23	240-5005-00	6-32 NYLON STOP NUT	47
24	830-1016-28	BUTY #28, MINI PF, BLACK KNIGHT L E	1
25	830-1016-29	BUTY # 29, MINI PF, BLACK KNIGHT LE	1
26	830-1016-39	BUTY # 39, MINI PF, BLACK KNIGHT LE	1
27	830-1016-34	BUTY # 34, MINI PF, BLACK KNIGHT LE	1
28	830-1016-33	BUTY # 33, MINI PF, BLACK KNIGHT LE	1
29	500-2470-00	BALL LOCK ASSEMBLY, MINI PF, BLACK KNIGHT L E	1
30	500-2471-00	TARGET ASSEMBLY, INVERTED TARGET	1
31	237-5502-00	SCREW, 6-32 X 1/2" PPH MS ZINC	3
32	077-5003-00	SOCKET - SHORT LAYDOWN 2-LUG	6
33	112-5034-02	DOUBLE LED, BAYONET BASE - RED	6
34	232-5403-00	SCREW, 10-32 X 5/8 PPH SEMS	3
35	240-5203-00	10-32 NYLON LOCK NUT	3
36	830-1016-31	BUTY # 31, MINI PF, BLACK KNIGHT LE	1





37	830-1016-32	BUTY # 32, MINI PF, BLACK KNIGHT LE	1
38	830-1016-35	BUTY # 35, MINI PF, BLACK KNIGHT LE	1
39	545-5348-17	7/16 O.D. RUBBER RING - BLACK	3
40	535-2048-00	FLAP, MINI PF, BALL LOCK, BLACK KNIGHT L E	1
41	237-5510-00	SCREW, 6-32 X 1-1/2" PPH MS	4
42	545-5348-09	RUBBER RINGS STAR WARS	1
43	545-5348-06	RUBBER RINGS STAR WARS	1
44	511-1942-42	BUTY ASSEMBLY #42, MINI PF, BLACK KNIGHT L E	1
45	511-1942-41	BUTY ASSEMBLY #41, MINI PF, BLACK KNIGHT L E	1

46	511-2757-00	EXIT RAMP ASSEMBLY, TURNAROUND, MINI PF, BLACK KNIGHT L E	1
47	500-9936-02	GATE ASSEMBLY	1
48	535-2070-00	MOUNTING PLATE, OFFSET	1
49	237-5871-00	SCREW, 6-32 X 3/8" PFH 82° U/C ZINC	2
50	530-5005-01	MINI-POST (MACHINE THREAD)	3
51	240-5208-00	10-32 KEPS NUT	3
52	511-7965-45	FLOOD LAMP ASSEMBLY, LEFT, MINI PF, BLACK KNIGHT L E	1
53	242-5015-00	#8 WASHER - .170 ID X 1/2 OD X .042	2
54	511-7965-46	FLOOD LAMP ASSEMBLY, RIGHT, MINI PF, BLACK KNIGHT L E	1

# 6. SPECIFICATIONS

500-55N2-01

## SPECIFICATIONS, MECHANICAL, GAME SETUP

Specification	Imperial	Metric
Weight	210 lbs	96 kg
Max dimensions, leg levers extended (h, w, d)	78 x 27.75 x 57 in	198 x 70.5 x 145 cm
Minimum game dimensions (h, w, d)	76 x 27.75 x 57 in	193 x 70.5 x 145 cm
Minimum room dimensions per game (h, w, d)	80 x 36 x 84 in	203 x 91 cm x 214 cm

• (h, w, d) = height, width, depth.

## SPECIFICATIONS, MECHANICAL, BOXED

Specification	Imperial	Metric
Weight, boxed (without pallet)	230 lbs	105 kg
Box dimensions (h, w, d)	56.5 x 31 x 31 in	144 x 79 x 79 cm
Minimum dimensions (h, w, d)	76 x 26 x 57 in	193 x 66 x 145 cm

• (h, w, d) = height, width, depth.

## SPECIFICATIONS, ELECTRICAL

Specification	North America - 120VAC	International - 240VAC
Line Voltage, Nominal	120 VAC	240 VAC
Line Voltage Range	90 VAC - 250 VAC	90 VAC - 250 VAC
Line Frequency *	60 Hz	50 Hz, 60 Hz
Line Power, Current - attract mode	70 W, 0.6 A @ 120 VAC	70 W, 0.3 A @ 240 VAC
Line Power, Current - nominal	360 W, 3 A @ 120 VAC	360 W, 1.5 A @ 240 VAC
Line Power, Current - peak, <100 ms	540 W, 4.5 A @ 120 VAC	540 W, 2.25 A @ 240 VAC

\* NOTE: Games designed for 60hz operation (e.g. North America games) will not function correctly on 50hz power and vice versa.

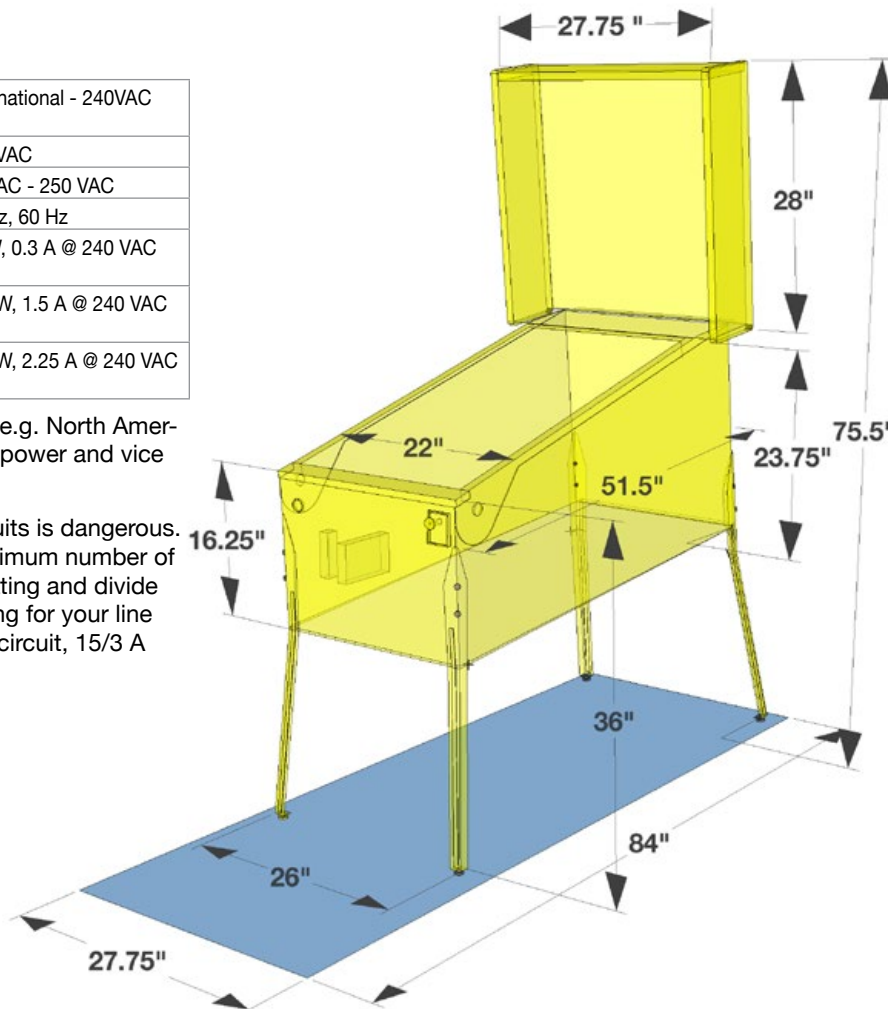
**WARNING:** Overloading electrical supply circuits is dangerous. Do not overload circuits. To calculate the maximum number of games for a circuit, check circuit amperage rating and divide by the game Nominal Line Power Current rating for your line voltage. For example, a 15A 120V household circuit,  $15/3 \text{ A (nominal current)} = 5 \text{ games maximum}$ .

## SPECIFICATIONS, ENVIRONMENT

	Minimum	Maximum
Temperature, Operating	32 °F / 0 °C	104°F / 40 °C
Temperature, Storage	32 °F / 0 °C	104°F / 40 °C
Relative Humidity, Operating	5%	95% non-condensing
Relative Humidity, Storage	5%	95% non-condensing

- (a) "The appliance has to be placed in a horizontal position."
- (b) "This appliance is not to be cleaned by a Water Jet."
- (i) "Do not locate this appliance in an area where a Water Jet is used."
- (ii) "Do not clean this appliance with a Water Jet."
- (c) If the supply cord is damaged, it must be replaced with the same cord available from the manufacturer or its service agent.

## 6.1 GAME DIMENSIONS





## 6.2 WARRANTY

500-55N2-01

Stern Pinball machines are assembled in Elk Grove Village, Illinois, USA; each pinball machine has unique characteristics that make it a one-of-a-kind American-made product. Each machine will have variations in appearance resulting from differences in the machine's particular wood parts, individual silk screened art and mechanical assemblies. Stern Pinball has inspected each game element to insure it meets stringent quality and playability standards.

### STERN PINBALL INC LIMITED WARRANTY

Stern Pinball Inc ("SELLER") warrants only to the initial purchaser of its products that the items listed below are free from defects in material and workmanship under normal use and service for the warranty period specified:

- Printed circuit boards (game logic): 2 months
- Dot Matrix / LCD Display: 9 months

No other parts of seller's product are warranted.

Warranty periods are effective from the initial date of shipment from seller to its authorized distributors.

Seller's sole liability shall be, at its option, to repair or replace products which are returned to seller during the warranty periods specified, provided:

1. Seller is notified promptly upon discovery by purchaser that stated products are defective.
2. Such products are properly packaged and then returned freight prepaid, to seller's plant.

This warranty does not apply to any parts damaged during shipment and/or due to improper handling, or due to improper installation or usage, or alteration. In no event shall the seller be liable for any anticipated profits, loss of profits, loss of use, accidental or consequential damages, or any other losses incurred by the customer in connection with the purchase of a Stern Pinball Inc Product.

### WARRANTY DISCLAIMER

Except as specifically provided in a written contract between seller and purchaser, there are no other warranties, express or implied, including any implied warranties of merchantability or fitness for a particular purpose.

This Game Service Manual and all other documents relating to this product, playfield components, features, rules, programming, and operation are subject to change without notice (Service Bulletins, if applicable, available through official Stern Pinball website).

## ATTENTION! IMPORTANT WARRANTY INFORMATION

**The electronics system, node network architecture, mechanical devices and associated software control systems in this pinball machine are designed to work with genuine Stern Pinball accessories and devices.**

**Installation of non-authorized accessories, lamps, LED's, motors or other devices or modification of electro-mechanical devices may damage the system and will void your warranty.**

## 6.3 WARNINGS, COMPLIANCE, AND LEGAL NOTICES

### PHOTOSENSITIVE SEIZURES HEALTH WARNING



A very small percentage of people may experience a seizure when exposed to certain visual images, including flashing lights or patterns. Even people with no history of seizures of epilepsy may have an undiagnosed condition that can cause "photosensitive epileptic seizures" due to certain visual images, flashing lights or patterns. Symptoms can include lightheadedness, altered vision, eye or face twitching, jerking or shaking of arms or legs, disorientation, confusion, momentary loss of awareness, and loss of consciousness or convulsions that can lead to injury from falling down or striking nearby objects.

IMMEDIATELY STOP PLAYING AND CONSULT A DOCTOR IF YOU EXPERIENCE ANY OF THESE SYMPTOMS.

### PARTS SUBSTITUTIONS



For safety and reliability, substitute parts and equipment modifications are not recommended and may void any and all warranties. Use of Non-Stern Pinball Inc Parts or Modifications of game circuitry may adversely affect game play or game safety. Transport pinball machines with hinged backbox in the down position only! Always take great care when servicing any game. Always read the service manual before replacing or servicing components. Substitutions of parts or equipment modifications may void FCC type acceptance.

Always disconnect the line voltage before servicing. Some parts may remain energized when unplugged. Take great caution when servicing any electrical components.

### FCC CLASS A SUBPART J COMPLIANCE



This equipment has been tested and found to comply with the limits for a Class A digital device, pursuant to part 15 of the FCC Rules. These limits are designed to provide reasonable protection against harmful interference when the equipment is operated in a commercial environment. This equipment generates, uses, and can radiate radio frequency energy and, if not installed and used in accordance with the instruction manual, may cause harmful interference to radio communications. Operation of this equipment in a residential area is likely to cause harmful interference in which case the user will be required to correct the interference at his own expense.

### RF INTERFERENCE NOTICE

The cable harness placements, ground strap routing, and other shielding have been designed to keep RF radiation and conduction within levels accepted by FCC rules. To maintain these levels, factory harness position, shielding, and ground straps must be installed in their factory locations should they become disconnected during maintenance.

### COPYRIGHT AND INTELLECTUAL PROPERTY NOTICE

This document and the data disclosed herein or herewith is not to be reproduced (Except where noted), used, or otherwise disclosed in whole or in part to anyone without written consent of Stern Pinball Inc.

Products in this manual, the company name and devices and the design of the manual itself are protected by federal patents (and patents pending), design registrations, trademarks, and copyrights. Action will be taken in the event of infringement or imitation. The right is reserved to change specifications without prior notice.





**1-800-KICKERS**  
PARTS.SERVICE@STERNPINBALL.COM  
WWW.STERNPINBALL.COM  
FACEBOOK.COM/STERNPINBALL

BLACK KNIGHT LE #500-55N2-01  
BLACK KNIGHT PREMIUM #500-55N3-01  
MANUAL #780-50N2-00

